

MODELS:

VLWP59-B-47L /VLWP59-B-78L

Model number parameter list:

Item	Model	Input Voltage	Power Factor	Watts	Input Current
A	VLWP59-B-47L	120-277VAC	≥0.9	50W	0.52A MAX
B	VLWP59-B-78L	120-277VAC	≥0.9	80W	1.50A MAX

CAUTION: If a photocell is installed with this luminaire, make sure the rated voltage of the photocell meets or exceeds the actual supply voltage.



1. Introduction

- This LED Wall-Pack luminaire uses the latest in solid state lighting technology for long life, low maintenance, and high efficiency.
- Button-type photocells can be installed in the threaded (1/2" NPS) receptacles in the housing.
- An internal power-factor-corrected switch-mode supply allows the luminaire to be used with a nominal 120V-277V, 50/60Hz AC supply without any variation in light output.
- Suitable for use in the wet locations in ambient temperatures ranging from -20°C~+40°C / -4°F to 104°F.

Note: Save these instructions for future reference.

2. Installation

Warning:

To avoid the risk of fire, explosion, or electric shock, this product should be installed, inspected, and maintained by a qualified electrician only, in accordance with all applicable electrical codes.

Warning:

To avoid electric shock:

- Be certain electrical power is OFF before and during installation and maintenance.
- Luminaire must be connected to a wiring system with an equipment-grounding conductor.

Warning:

To avoid explosion:

- Make sure the supply voltage is the same as the rated luminaire voltage.
- Do not install where marked operating temperatures exceed the ignition temperature of the hazardous atmosphere.
- Do not operate in ambient temperatures above those indicated on the luminaire nameplate.

For supply connections use wire rated for at least 80°.

Installation:

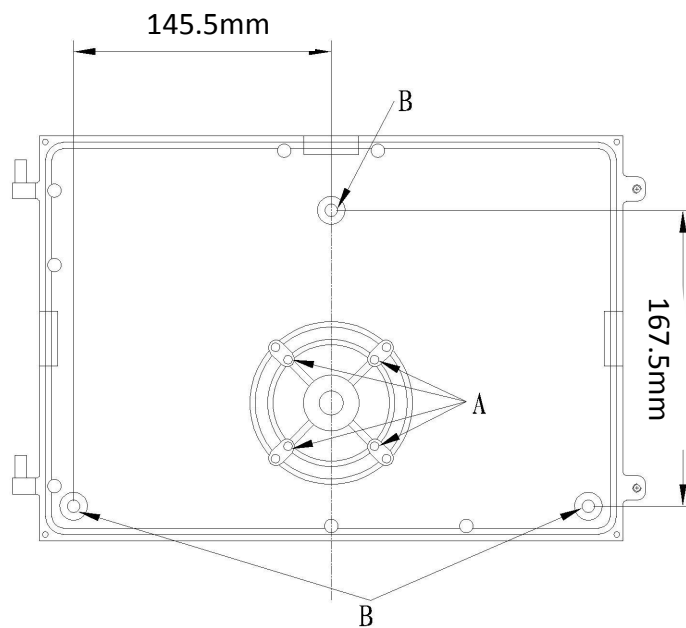


FIGURE 1

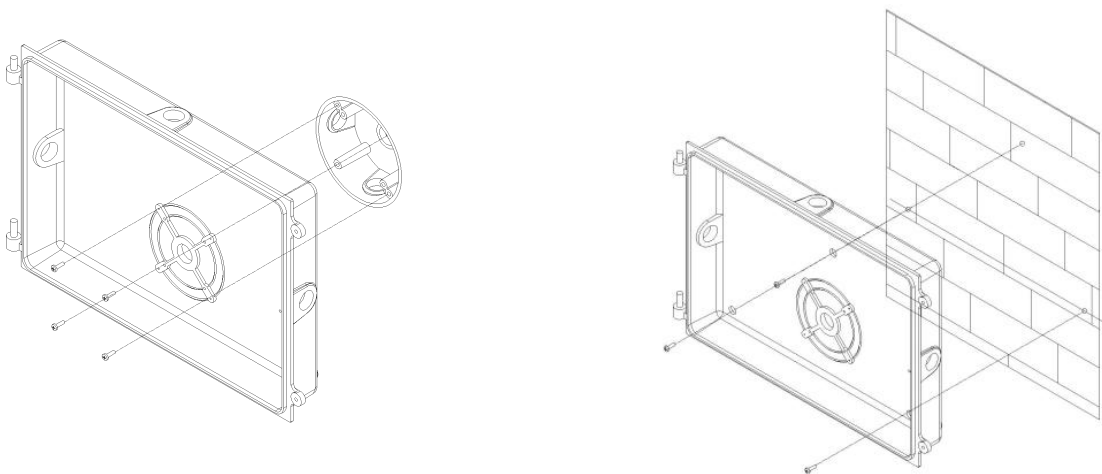


FIGURE 2

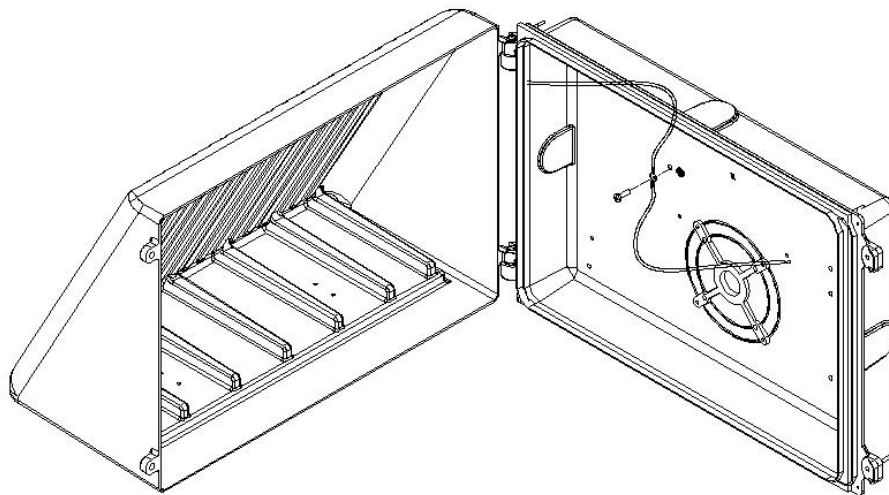


FIGURE 3

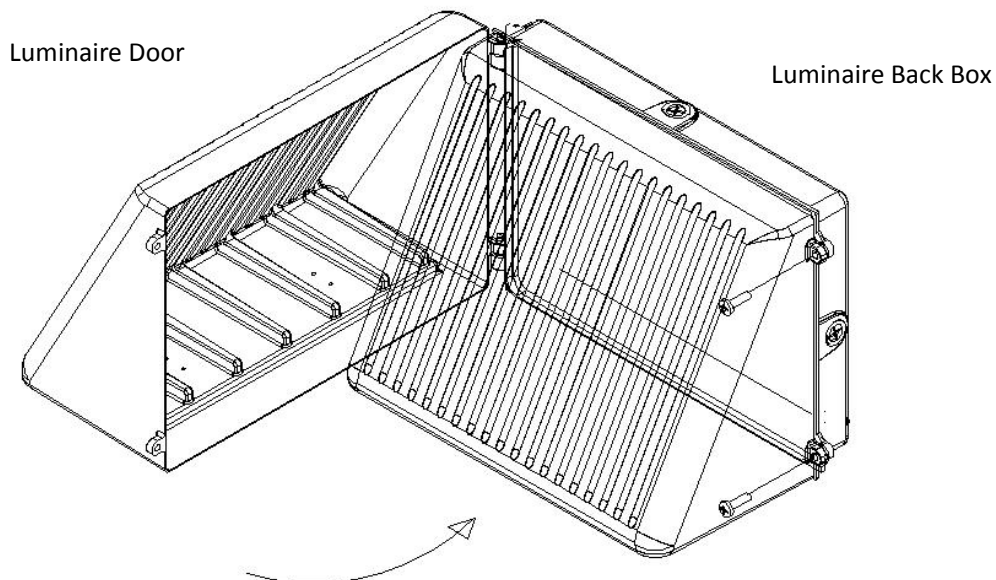


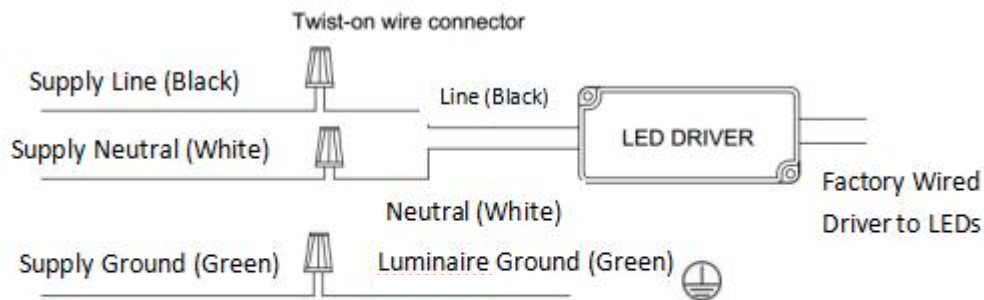
FIGURE 4

Step 1

Separate the back box from the luminaire door by using a philips screw driver (FIGURE 2). Refer to the dimensions shown in FIGURE 1 to drill the holes in the wall (FIGURE 1).

Step 2

Use wire nuts to connect incoming power wires to the luminaire power wires (black to line, white to neutral, and green/yellow to ground (see FIGURE 5).



Wiring layout without photocell

FIGURE 5

Step 3

Install the luminaire back box on the wall.

Step 4

Reattach the luminaire door and tighten the screws to seal the luminaire (see FIGURE 4).

After installation,

- Make sure the lighting fixture is firmly attached to the mounting surface.
- Make sure all wires are connected correctly.

At last, turn on the power, and check if the lighting fixture works well. If not, please turn off the power and contact with local dealer.

Warning: the luminaire shall be installed by qualified electrician.