

LED Wall Pack Installation Instructions

Warning:

1. Do not use an electric generator to operate this luminaire.
2. This luminaire must be installed in accordance with your local electrical codes and requirements.
3. Do not install the luminaire during rain or lightning storms.

Installation Notice

1. To avoid electric shock and fire hazards, this luminaire must be installed by a qualified electrician.
2. To avoid injury, wear gloves during installation.
3. Turn off the power immediately if smoke or fire occurs during installation.
4. This luminaire is rated for outdoor use.

Installation Using a Wall-Mounted Junction Box

1. Remove mounting plate from luminaire. Begin by loosening the mounting plate set screws at the bottom of the luminaire housing (see Figure 1).
2. After loosening the mounting plate set screws, remove the mounting plate from the back of the luminaire housing (see Figure 2).
3. Position the mounting plate over the existing junction box, and attach the mounting plate to the junction box. If the mounting plate holes are not aligned with the junction box holes, drill additional holes in the mounting plate (see Figure 3).

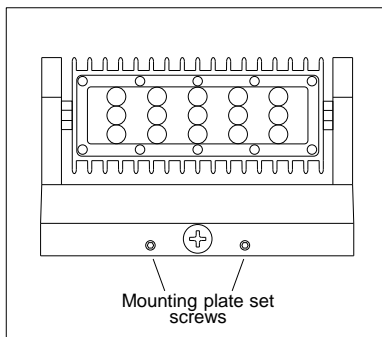


Figure 1

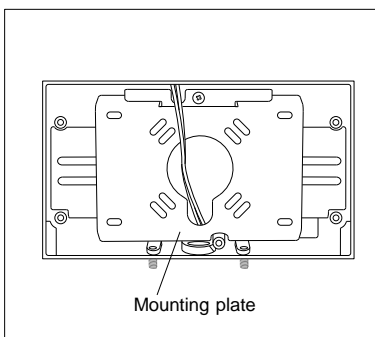


Figure 2

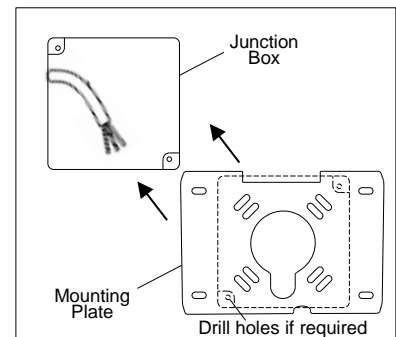


Figure 3

4. After attaching the mounting plate to the junction box, pull the incoming power wires through the hole in the mounting plate (see Figure 4).

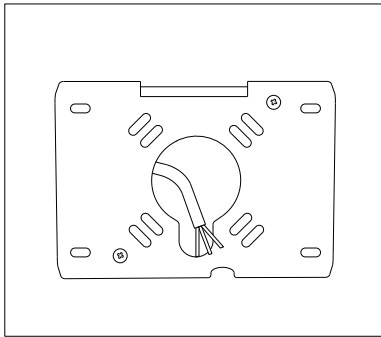


Figure 4

5. To achieve a water-tight seal, attach the luminaire gasket to the luminaire housing (see Figure 5). For additional sealant, apply waterproof silicon to the gasket prior to attachment.

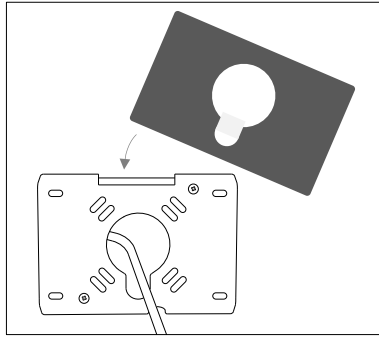


Figure 5

6. Connect the incoming power wires to the luminaire power wires (see Figure 6). Refer to the Wiring Diagram.

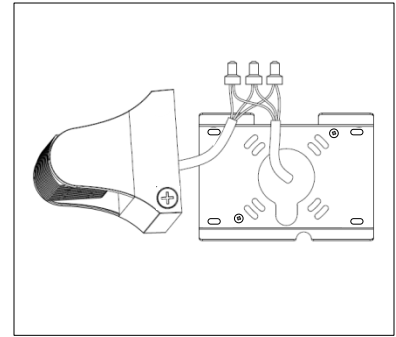


Figure 6

7. Mount the luminaire housing on the top slots of the mounting plate, and then retighten the mounting plate set screws (see Figure 7).

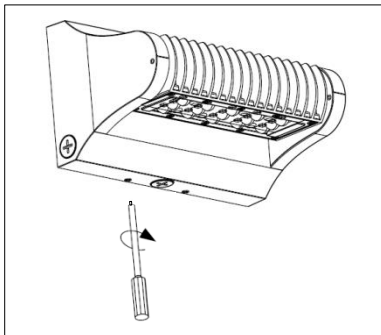


Figure 7

8. Rotate the LED module to the desired position, and then tighten the LED module set screws (see Figure 8).

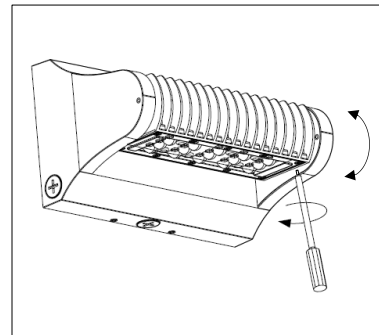


Figure 8

Installation Using Conduit

1. Remove mounting plate from luminaire. Begin by loosening the mounting plate set screws at the bottom of the luminaire housing (see Figure 1).

2. After loosening the mounting plate set screws, remove the mounting plate from the back of the luminaire housing (see Figure 2).

3. Using the mounting plate as a template, mark and drill holes in the wall on which the luminaire will be mounted (see Figure 9).

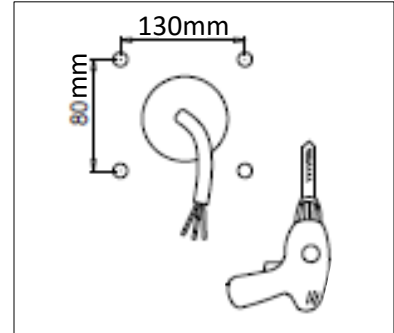


Figure 9

4. Position the mounting plate over the mounting holes, and attach the mounting plate to the wall. (see Figure 10).

5. Remove the conduit plug from the side of the luminaire on which conduit will be mounted (see Figure 11)

6. Feed the luminaire power wires through the conduit plug hole (see Figure 12).

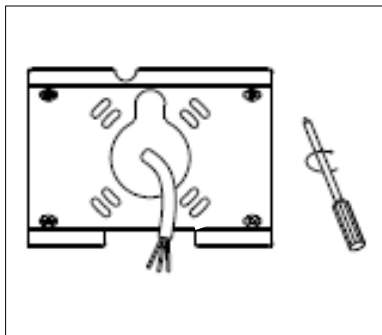


Figure 10

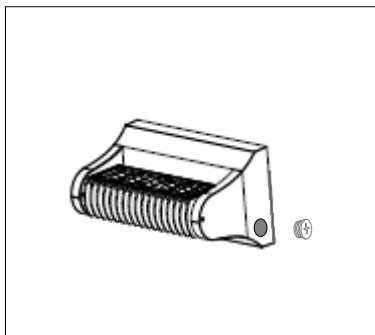


Figure 11

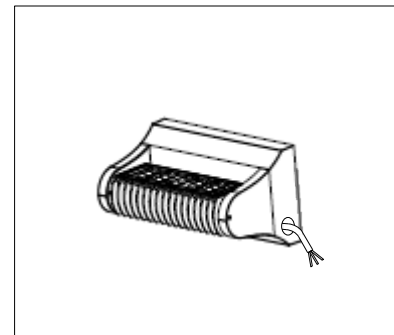


Figure 12

7. Connect the incoming power wires to the luminaire power wires (see Figure 13). Refer to the Wiring Diagram.

8. Attach the conduit to the threaded conduit plug hole ($\frac{1}{2}$ " NPS) using an appropriate conduit fitting (provided by others, see Figure 14).

9. To achieve a water-tight seal, attach the luminaire gasket to the luminaire housing (see Figure 6). For additional sealant, apply waterproof silicon to the gasket prior to attachment.

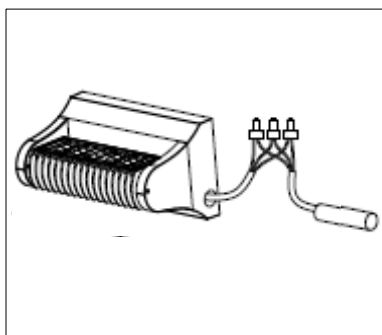


Figure 13

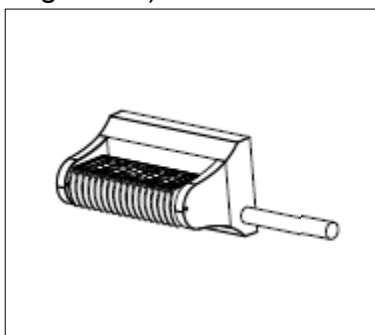
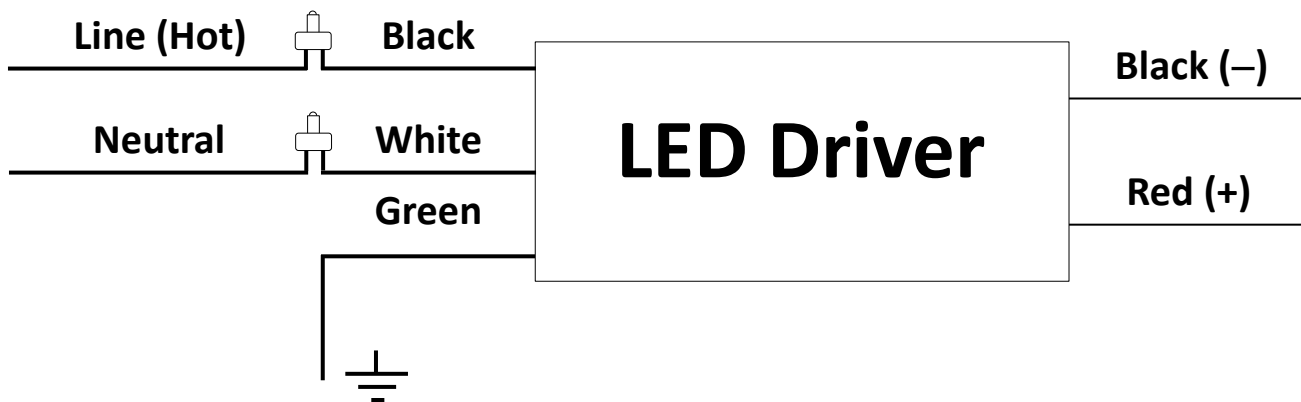


Figure 14

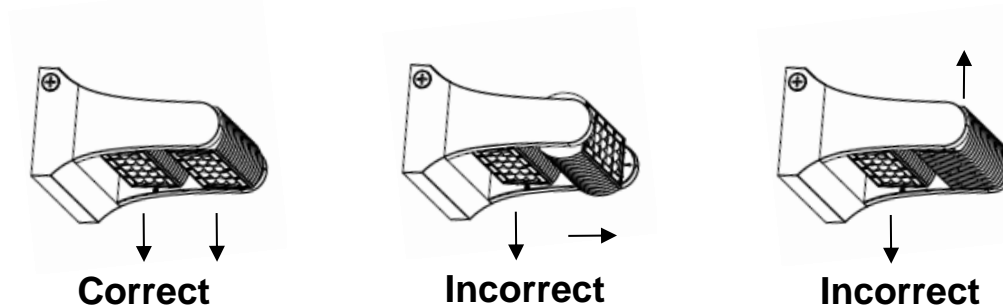
10. Mount the luminaire housing on the top slots of the mounting plate, and then retighten the mounting plate set screws (see Figure 7).

11. Rotate the LED module to the desired position, and then tighten the LED module set screws (see Figure 8).

Wiring Diagram



Note: To meet the requirements of DLC certification, the LED modules must be positioned in the same direction. Luminaires installed with LED modules positioned in different directions will not meet DLC requirements.



Warning/Avertissement:

MIN 75 °C SUPPLY CONDUCTOR.

THIS PRODUCT MUST BE INSTALLED IN ACCORDANCE WITH THE APPLICABLE INSTALLATION CODE BY A PERSON FAMILIAR WITH THE CONSTRUCTION AND OPERATION OF THE PRODUCT AND THE HAZARDS INVOLVED.

LES FILS D'ALIMENTATION 75 °C MIN.

CE PRODUIT DOIT ÊTRE INSTALLÉ SELON LE CODE D'INSTALLATION PERTINENT, PAR UNE PERSONNE QUI CONNAÎT BIEN LE PRODUIT ET SON FONCTIONNEMENT AINSI QUE LES RISQUES INHÉRENTS.