

ADJUSTABLE LED WALLPACK INSTALLATION INSTRUCTIONS

VLWP53.5-B-LED



SAFETY INSTRUCTION

- Read these instructions carefully before installing the luminaire, and retain them for future reference.
- Disconnect power before installing or servicing. This luminaire must be wired in accordance with the National Electrical Code and applicable local codes and ordinances.
- All wiring should be performed by a qualified electrician. This luminaire is for outdoor use and should not be used in areas with limited ventilation or high ambient temperatures.

INSTALLATION INSTRUCTIONS

- Rotate the luminaire front housing as far as possible, and remove the two back housing screws (see FIGURE 1).
- Remove the front housing assembly from the back housing assembly by rotating and lifting the front housing from the back hinges. Set the front housing assembly aside.
- To ensure a water tight seal, apply silicone between the back plate and mounting surface. Then, secure the back plate to the junction box using appropriate fasteners (not provided, see FIGURE 2).
- Reattach the front housing hinges to the back housing hinges. Then, using wire nuts, make wiring connections as follows (see FIGURE 3):
 - Black incoming power wire to the line (L) supply wire
 - White incoming power wire to the neutral (N) supply wire
 - Green incoming wire to the ground (G) wire.

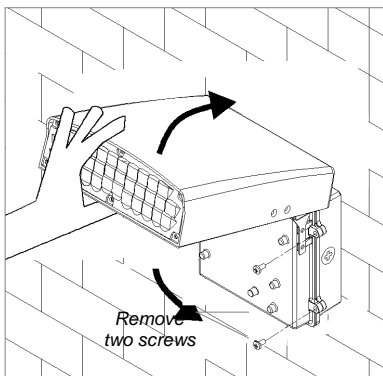


FIGURE 1

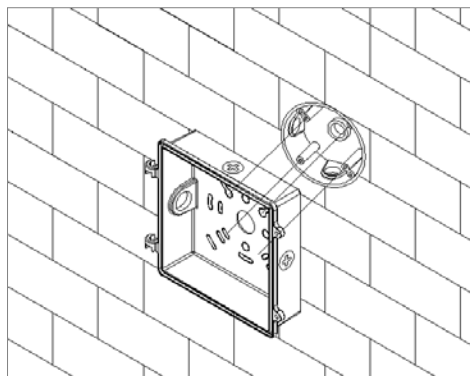


FIGURE 2

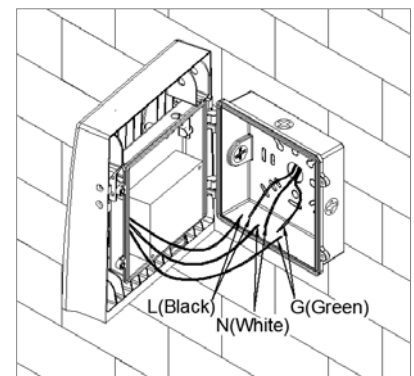


FIGURE 3

ADJUSTABLE LED WALLPACK INSTALLATION INSTRUCTIONS

- Close back housing and tighten the two screws (see FIGURE 4).
- Adjust the luminaire front housing to a desired angle.

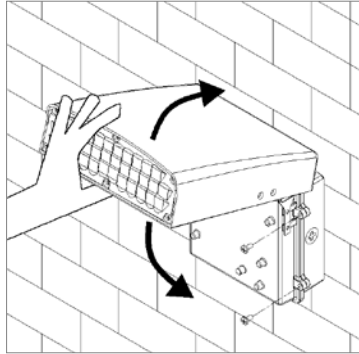


FIGURE 4