

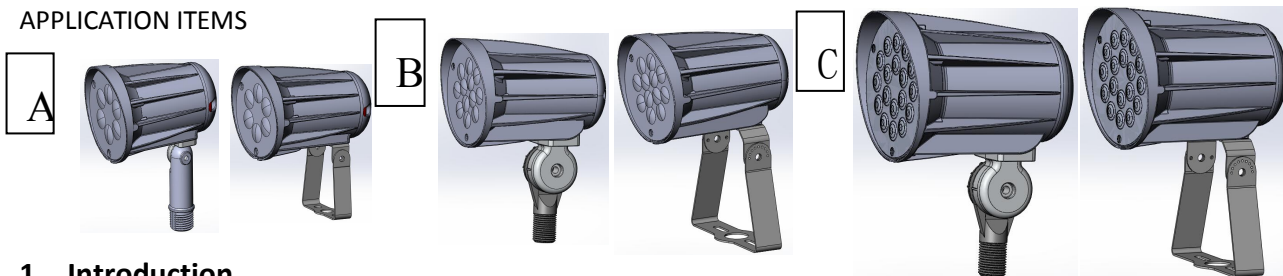
SERIES:

VLLD2-B-LED

Model number parameter list:

Item	Model	Input Voltage	Power Factor	Watt	Input Current	Weight
A	VLLD2-B-15L	100-277VAC	≥0.9	15W	0.18A	--kg
B	VLLD2-B-26L	100-277VAC		26W	0.35A	--kg
C	VLLD2-B-39L	100-277VAC		39W	0.6A	--kg

APPLICATION ITEMS



1. Introduction

- This LED Flood light uses the latest in solid state lighting technology for long life, low maintenance, and high efficiency.
- The same as traditional HID lighting. There are two installation methods, suitable for various occasion.
- An internal power-factor-corrected switch-mode supply allows it to be used from any nominal 100-277V, 60Hz AC supply without any variation in light output.
- Suitable for use in the following locations:
 - Ambient Temp: -20~+40°C
 - Wet Locations

Note: Save these instructions for future reference.

2. Installation

Warning:

To avoid the risk of fire, explosion, or electric shock, this product should be installed, inspected, and maintained by a qualified electrician only, in accordance with all applicable electrical codes.

Warning:

To avoid electric shock:

- Be certain electrical power is OFF before and during installation and maintenance.
- Luminaire must be connected to a wiring system with an equipment-grounding conductor.

Warning:

To avoid explosion:

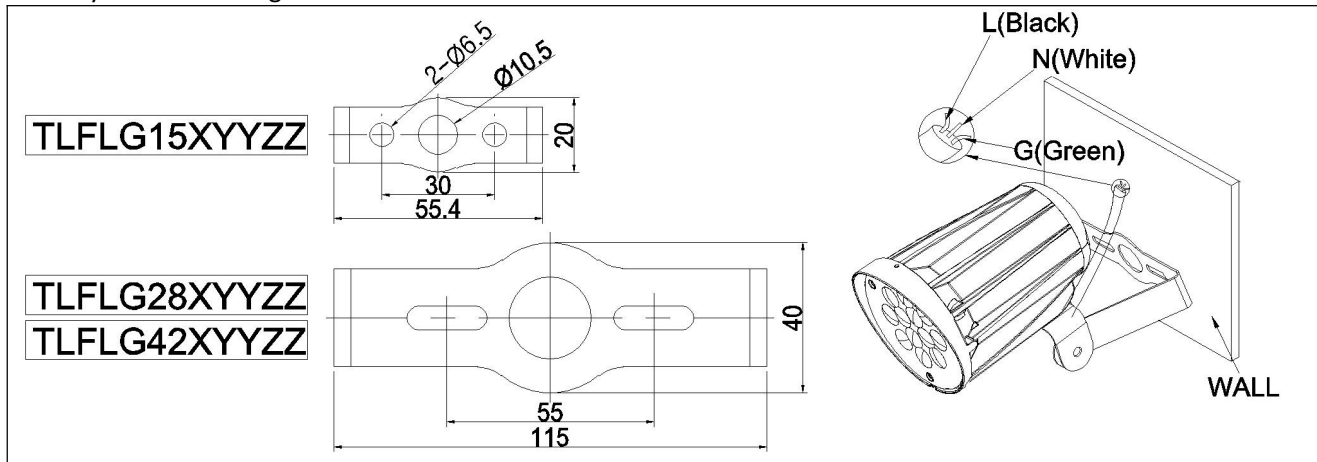
- Make sure the supply voltage is the same as the rated luminaire voltage.
- Do not install where the marked operating temperatures exceed the ignition temperature of the hazardous atmosphere.
- Do not operate in ambient temperatures above those indicated on the luminaire nameplate.
- Keep lens tightly closed when in operation.

For supply connections use wire rated for at least 90°C

Installation Steps:

Refer to the following diagram when you install the fixture. Seven installation methods, directly fix to the mounting surface or fix to a post with a knuckle.

1. Directly fix to mounting surface

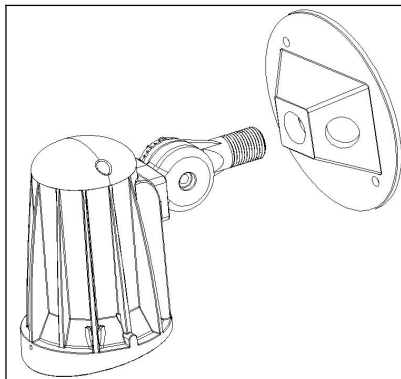


1. Use expansion bolts to secure the fixture on mounting surface.

2. Keep enough length wires to ensure adjusting angle unhindered.

Connect wires into wiring terminal; white wire to "Neutral" terminal, black wire to "Live" terminal, green wire to "Ground" terminal; and fix them by screws.

2. Mounting with a knuckle



Secure service wire or conduit to the wiring compartment cover with 1/2" connector (not provided). Connect white fixture wire to white supply wire, black fixture wire to black supply wire. Service ground should be attached to green ground screw provided. Ground must be properly attached to avoid the risk of electrical shock. Use wire nuts, crimp-on lugs, or other approved devices to connect all wires, make sure connections are secure and that no loose wire strands are sticking out of connectors. Secure wiring compartment cover to fixture. With black and white connections inside the wiring compartment. Use UL and CUL Listed flexible steel waterproof conduit in trade sizes 1/2 and UL and CUL Listed Water-proof outlet box cover.

The mounting method of the straight arm is added to a wall mounted fixing plate, and the fixing plate is mounted on the wall, and the fixing plate is fixed by a nut.

After installation, please

- check whether the lighting fixture is firmly fixed.
- check whether wires are connected correctly.
- At last, turn on the power, and check if the lighting fixture works well. If not, please turn off the power and contact with local dealer.