

LEDMPALPRO 81-279W Versions

Installation Instructions

Application:

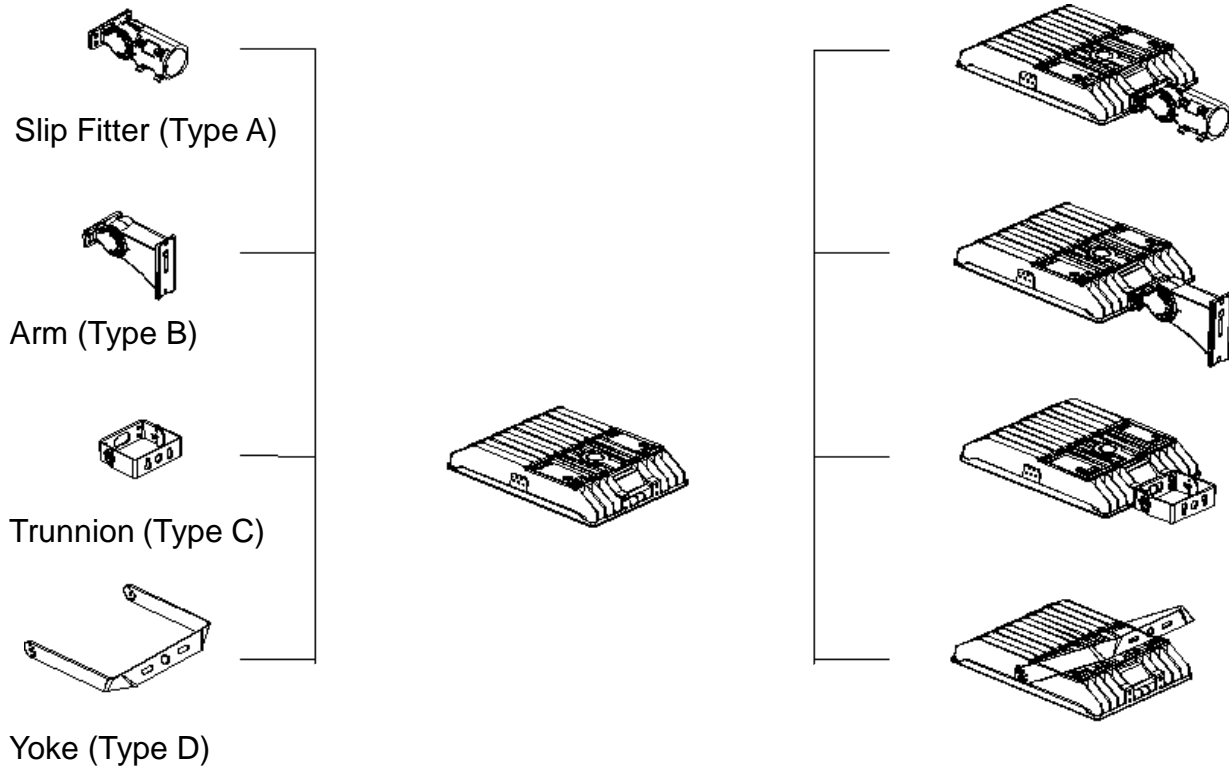
For use around building exteriors in settings such as warehouses, factories, retail locations, offices, and similar locations.

CAUTION:

1. Read all instructions before starting installation.
2. This product must be installed in accordance with the applicable installation codes by a qualified electrician familiar with the construction and operation of the product and the hazards involved.
3. Disconnect power at circuit breaker or fuse before starting installation.
4. To avoid injury, wear gloves during installation.
5. To reduce the risk of electrical shock and product damage, do not install this luminaire during rain or other storms.
6. Do not test luminaire using an electric generator before installation.
7. Use minimum 75°C Supply Wires.

Mounting Options:

There are (4) mounting methods for this luminaire.



Instructions for preparing various mounting options:

Slip Fitter (Type A)

1. Separate the slip fitter from the knuckle by removing the adjustment bolt using the hex wrench. (see fig 1)
2. Run leads from luminaire through knuckle and attach knuckle to head. (see fig 2)
3. Run leads through slip fitter and attach slip fitter to knuckle. (see fig 3)

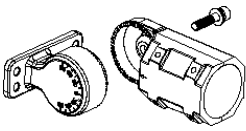


figure 1

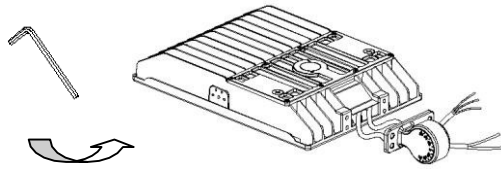


figure 2

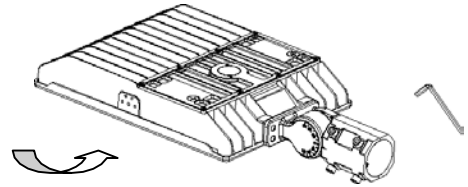


figure 3

Arm (Type B)

1. Remove wiring cover from arm and separate knuckle from arm. (see fig 4 and 5)
2. Run leads from luminaire through knuckle and attach knuckle to head. (see fig 4)
3. Remaining parts can be left unassembled for mounting to surface.

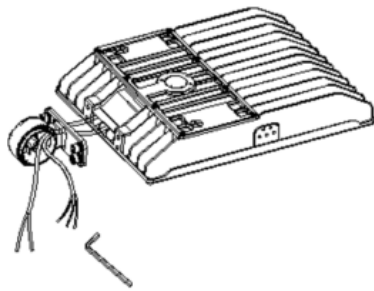


figure 4

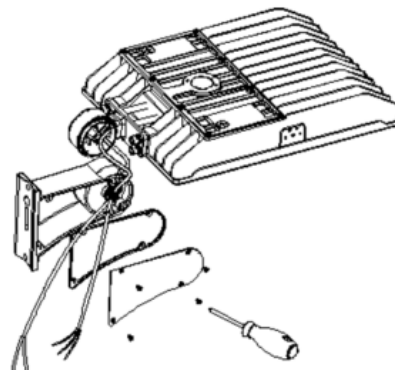


figure 5

Trunnion (Type C)

1. Run leads from luminaire through slot in trunnion. (see fig 6)
2. Attach trunnion to head. (see fig 7)

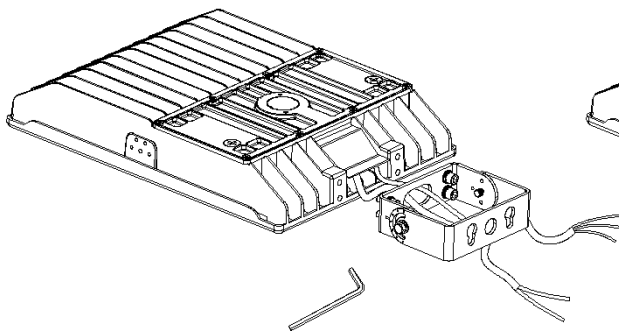


figure 6

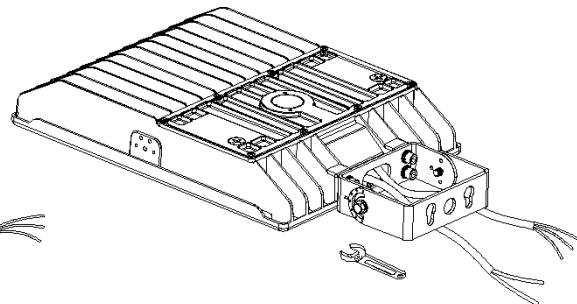


figure 7

Yoke (Type D)

1. Attach yoke to head using hex wrench. (see fig 8)

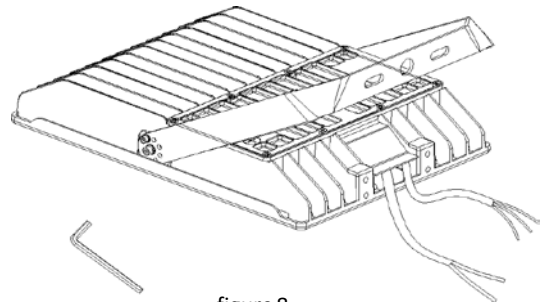


figure 8

Instructions for mounting of luminaire to surface/pole:

Slip Fitter (Type A)

1. Connect wires from luminaire to supply (see wiring diagram) and position wires inside pole. (see fig 9)
2. Secure slip fitter over pole and tighten.
3. To adjust, loosen the adjustment bolt using hex wrench, position head as desired, then retighten the bolt.

NOTICE: Adjustable angle is 0-90° (see fig 9)

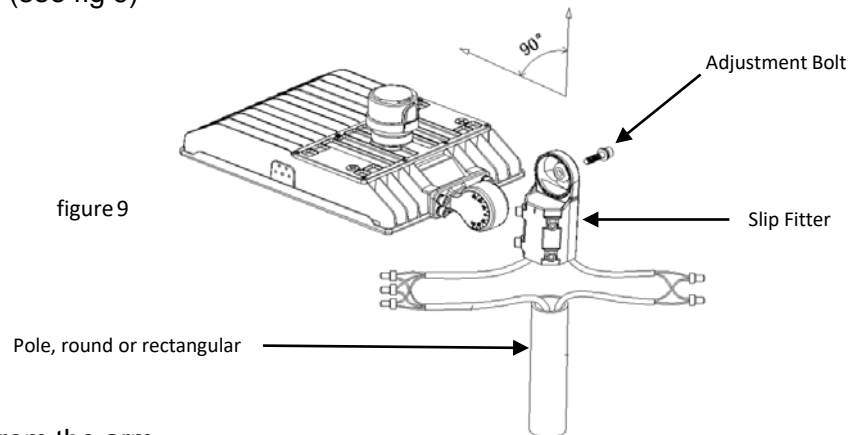


figure 9

Arm (Type B)

1. Disassemble the pole bracket from the arm.
2. If assembling to a round pole, remove and discard the adapter gasket.
3. Using the pole bracket as a guide, drill holes in pole at desired location.
4. Attach arm to pole with the pole bracket inside pole.
5. Run leads from luminaire through slot in arm.
6. Attach luminaire head to arm using adjustment bolt.
7. Adjust head to desired position and tighten adjustment bolt.
8. Wiring can be made inside the arm wiring compartment or inside pole. (see wiring diagram)
9. Secure wiring cover to arm with gasket in between. (see fig 10)

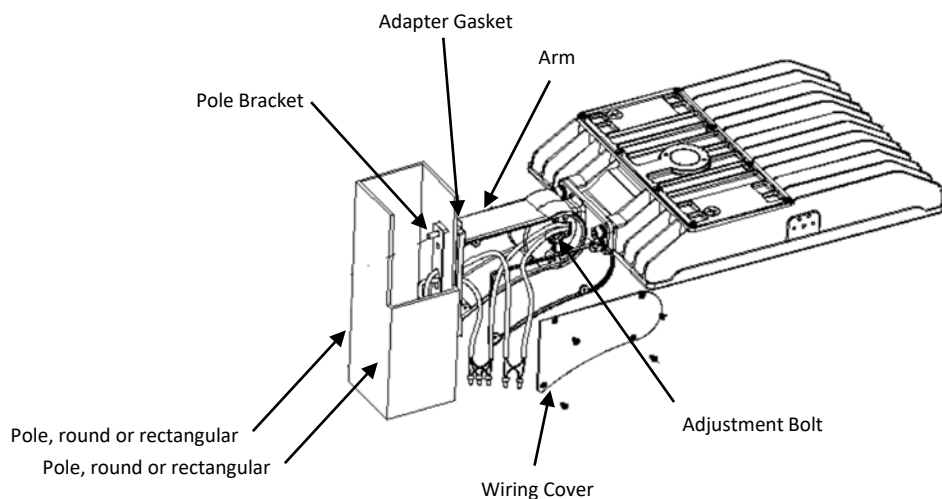


figure 10

Trunnion (Type C)

1. Drill hole in mounting surface or rectangular pole.
2. Attach luminaire to mounting surface or rectangular pole (see fig 11)
3. Make supply connection in waterproof junction box or inside pole. (see wiring diagram)

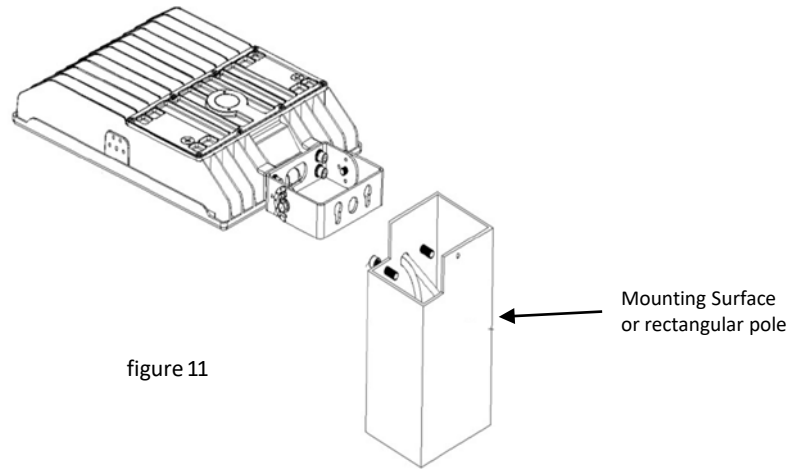


figure 11

Yoke (Type D)

1. Drill hole in mounting surface or rectangular pole.
2. Attach luminaire to mounting surface or rectangular pole (see fig 12)
3. Make supply connection in waterproof junction box or inside pole. (see wiring diagram)

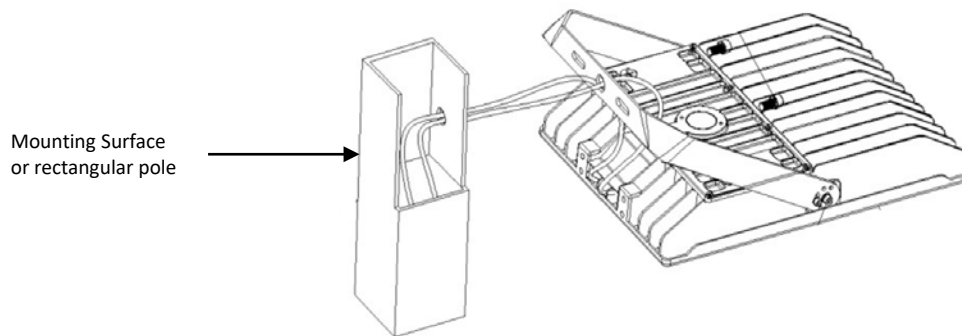
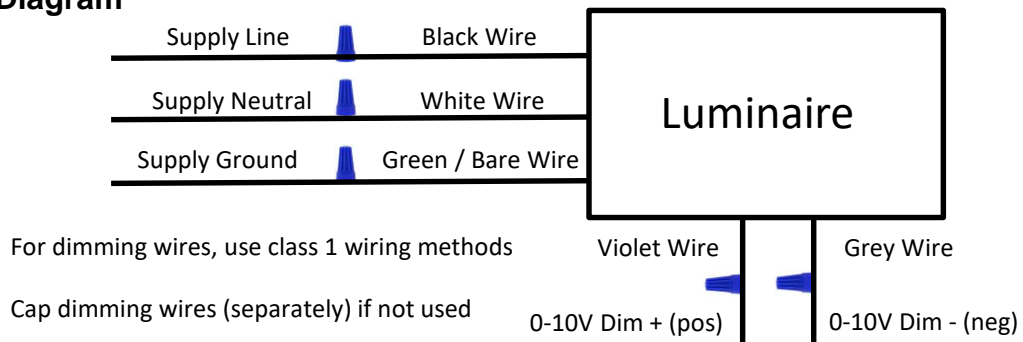


figure 12

Wiring Diagram



SAVE THESE INSTRUCTIONS