
INSTRUCTIONS

IMPORTANT SAFEGUARDS

When using electrical equipment, basic safety precautions should always be followed including the following:

1. READ AND FOLLOW ALL SAFETY INSTRUCTIONS
 2. Disconnect power before performing work on electrical equipment.
 3. Use caution when servicing batteries.
 4. Equipment should be mounted in locations and at heights where unauthorized personnel will not readily subject it to tampering.
 5. The use of accessory equipment not recommended by EELP, Inc. may cause an unsafe condition, and will void the unit's warranty.
 6. Do not use this equipment for other than its intended purpose.
 7. Servicing of this equipment should be performed by qualified service personnel.
 8. SAVE THESE INSTRUCTIONS!
-



WALL MOUNT INSTALLATION:

1. Remove torx screws (9) to release clear cover (1). There are 4 O-rings (10) inserted to the clear cover screw holes. Release the stencil (2) from the clear face cover (1). Knockout to remove the chevron as necessary from the stencil. Peel off backing paper from the tape on the back of the stencil (2) and carefully position and stick the colored fibre to the stencil.
2. Remove the back plate (16) knockouts using applicable knockout holes. Install the liquid tight bushing into the large center knockout with the lock nut (12). Feed the lead wires through the bushing, tighten to complete the liquid tight seal and install the wall gasket (18) then secure the back plate and housing to the wall. Connect wire per wiring diagram provided. Caution! Failure to insulate unused wire may result in a shock hazard or unsafe condition as well as equipment failure.
3. Replace faceplate, clear cover and torx screws. Note: When installing the cover, be sure to align the light pipe (5) and LED indicator.
4. Apply power.

CEILING/END MOUNT INSTALLATION

1. Remove torx screws (9) to release clear cover (1). There are 4 O-rings (10) inserted to the clear cover screw holes. Release the stencil (2) from the clear cover (1). Knockout to remove the chevron as necessary from the stencil. Peel off backing paper from the tape on the back of the stencil and carefully position and stick the colored fibre to the stencil.
2. To install canopy kit, knockout on the top (for ceiling mount) or the knockout on the side (for end mount). Position canopy gasket and the canopy (14). Install the cap screws and the washers. Attach canopy nuts and then tighten. Install the liquid tight bushing (12), feed the lead wired through the bushing and tighten to complete the liquid tight seal. Install the canopy mounting base (15) to the octagon box (11) (not supplied). Connect wires per diagram provided. Caution! Failure to insulate unused wire may result in a shock hazard or unsafe condition as well as equipment failure. The mounting base can be rotated for the desired mounting angle. Install the canopy (14) to the mounting base (15) with the supplied screws.
3. Note: When installing the cover, be sure to align the light pipe (5) and LED indicator.
4. Apply power.

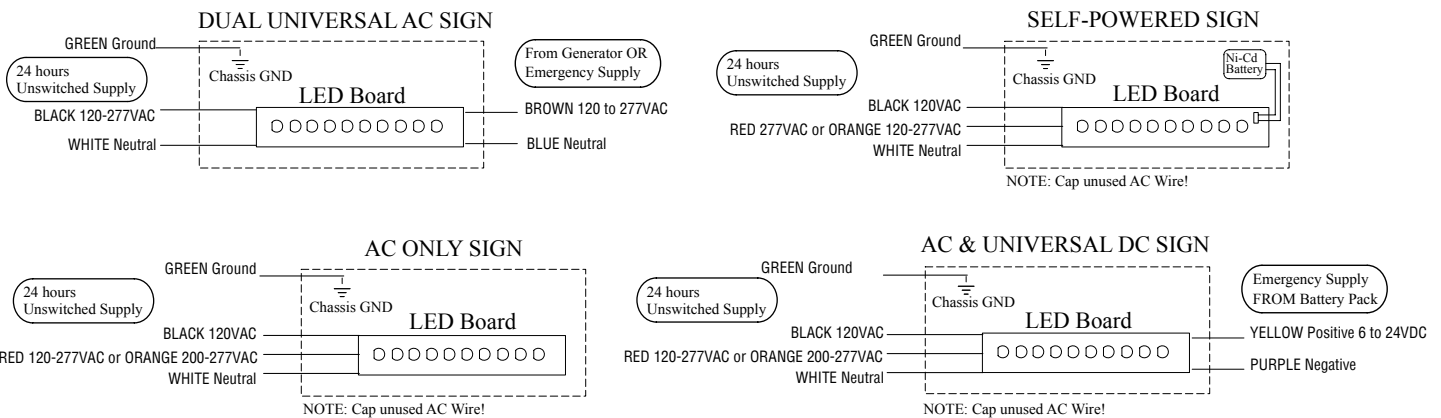
SELF-POWERED:

1. For models SPCAHA-EM plug the battery into the circuit board per (wiring diagram) self-powered sign.

MAINTENANCE

1. Clean face(s) on a regular basis.
NOTE: The servicing of any parts should be performed by qualified service personnel only. The use of replacement parts not furnished by EELP, Inc. may cause equipment failure and will void the warranty.

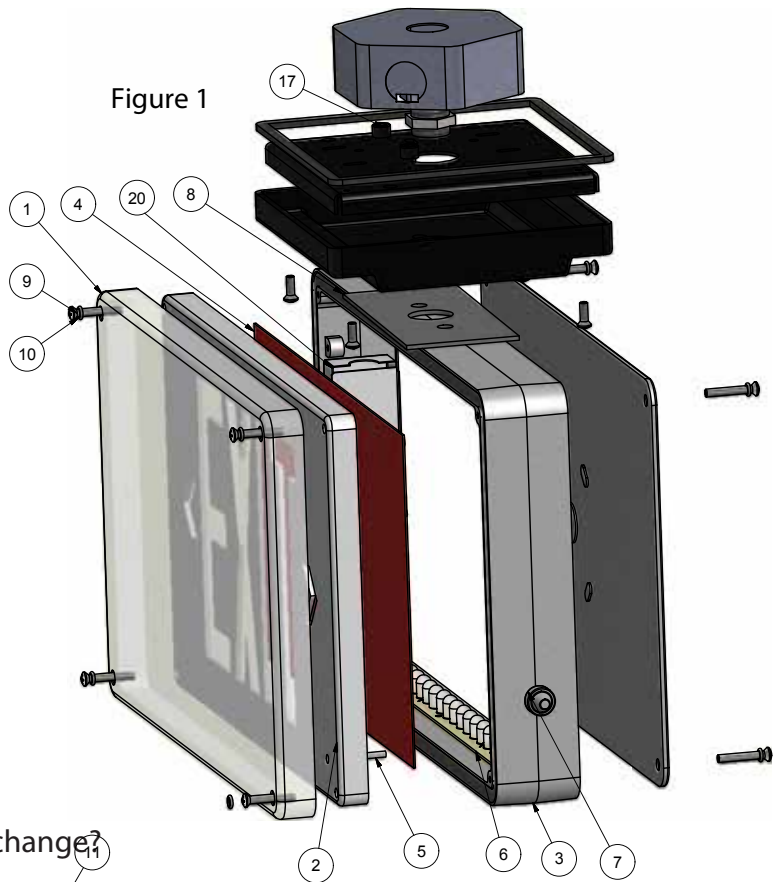
WIRING DIAGRAM



PARTS LIST

1. Clear Cover
2. Stencil
3. Frame
4. Fiber
5. Lightpipe
6. LED board
7. Test switch
8. Ceiling mount gasket
9. Tamper proof screws
10. O-ring
11. Octagon box (not supplied)
12. Bushing
13. Canopy Gasket
14. Canopy
15. Canopy mounting base
16. Back plate
17. Cap screws
18. Wall mount gasket
19. Oval head screws
20. Battery box

Figure 1



to change?

