

Installation Instructions & Users Manual

Recess Mount

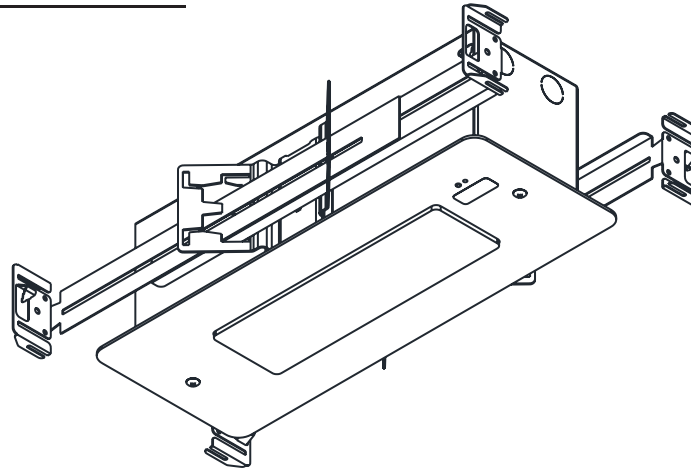
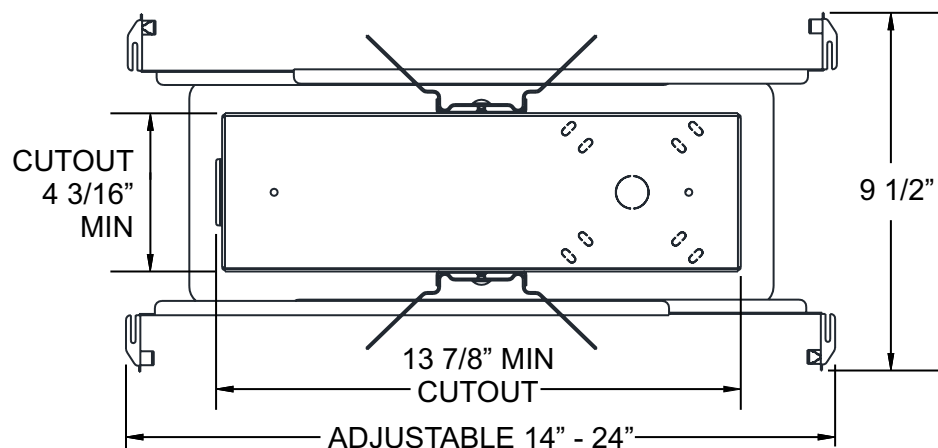


Fig 1

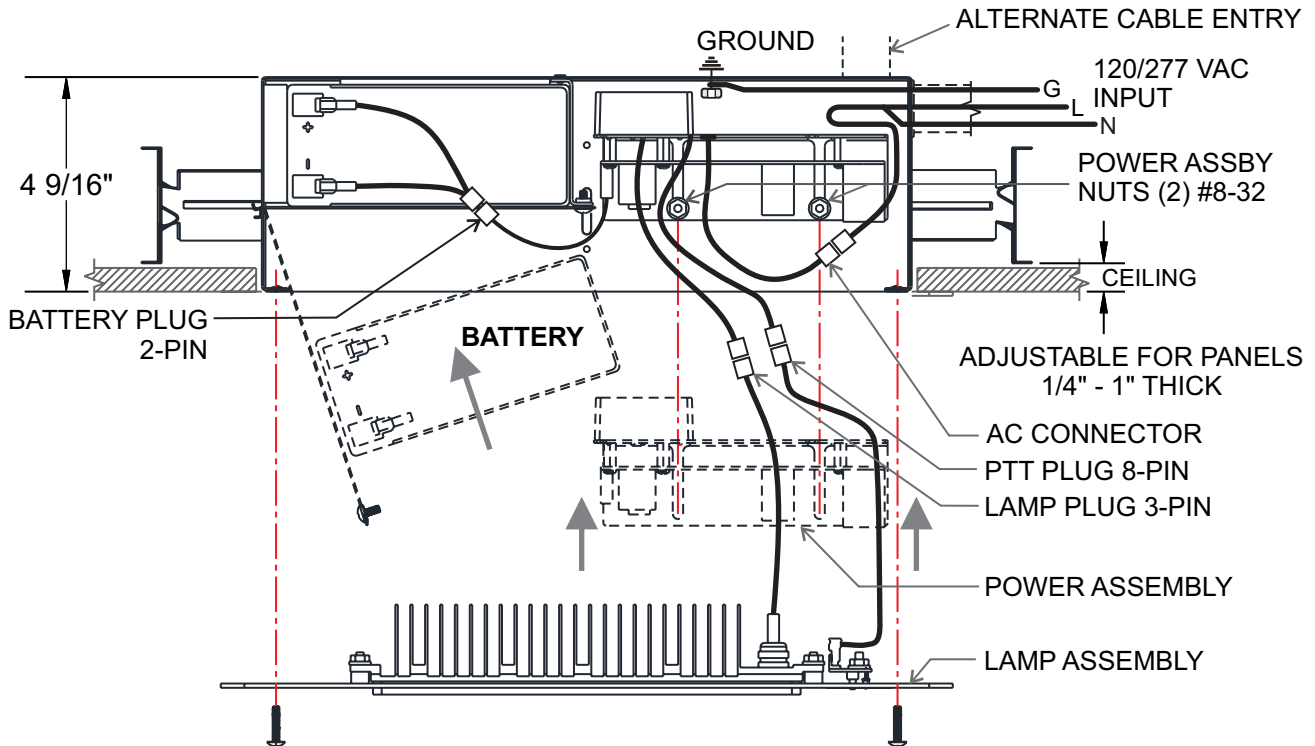


1. See Fig 1. Remove (2) #8 Trim Plate screws to remove Lamp Assembly and set aside. Loosen (2) #8 Power Assembly nuts on inside of housing, slide out Power Assembly from Back Box and set aside. Assemble adjustable hangars into wing brackets as shown. NOTE: Back Box can be mounted with or without battery in place. To reduce weight, do not install battery. To install, see WIRE CONNECTIONS & FINAL ASSEMBLY Pg ..

IMPORTANT SAFEGUARDS READ AND FOLLOW ALL SAFETY INSTRUCTIONS

1. Disconnect AC power before servicing.
2. Refer to wiring diagram for proper connections.
3. All servicing should be performed by qualified personnel.
4. Consult your local building code for approved wiring and installation.
5. Do not use outdoors.
6. Do not use this equipment for other than intended use.
7. Do not let power cords touch hot surfaces.
8. Mount and secure the fixture at a location and height to avoid ready access and tampering by unauthorized persons.
9. The use of accessory equipment is not recommended by the manufacturer and may cause an unsafe condition.

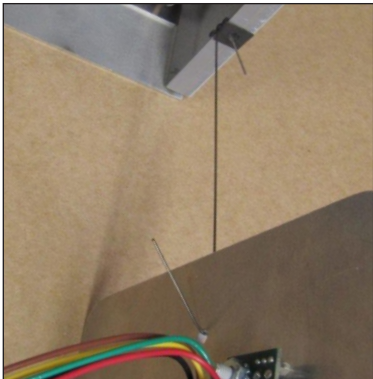
Fig 2



2. See Fig 2. Position Back Box assembly so that edge of box is flush or just below finished ceiling surface. NOTE: Fixture weight is 13 lb. Install drop wires when fixture is mounted on T-Bar grids in drop ceilings.
3. Route AC supply wiring into back box through KO's on top or sides of housing as shown. Connect GROUND wire to #8 stud inside housing then trim BLACK and WHITE input/output wires to approx. 8" inside housing.
4. Remove male half of AC lamp connector from BLACK/WHITE leads on power supply assembly. Strip AC input supply wires and push-connect BLACK (LINE) and WHITE (NEUTRAL) IN-OUT wires into lamp connector.

Wire Connections & Final Assembly

①



Note orientation of Lamp Assembly and attach to housing using hanging wire supplied.

②



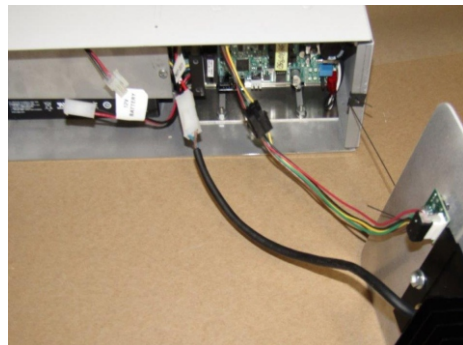
Rotate clamp into position and tighten #8 clamp screw. Make sure battery connector is free of clamp.

③



Mate AC supply plug and push plug into space next to PCB as shown.

④



Connect LAMP and PTT PLUGS as shown. BEFORE CONNECTING BATT PLUG CONFIRM AC SUPPLY IS ON. IF NOT ON, HIGH OUTPUT LAMP WILL LIGHT. When AC supply is ON, connect BATTERY PLUG.

⑤



Push BATTERY PLUG into cavity at side of battery

⑥



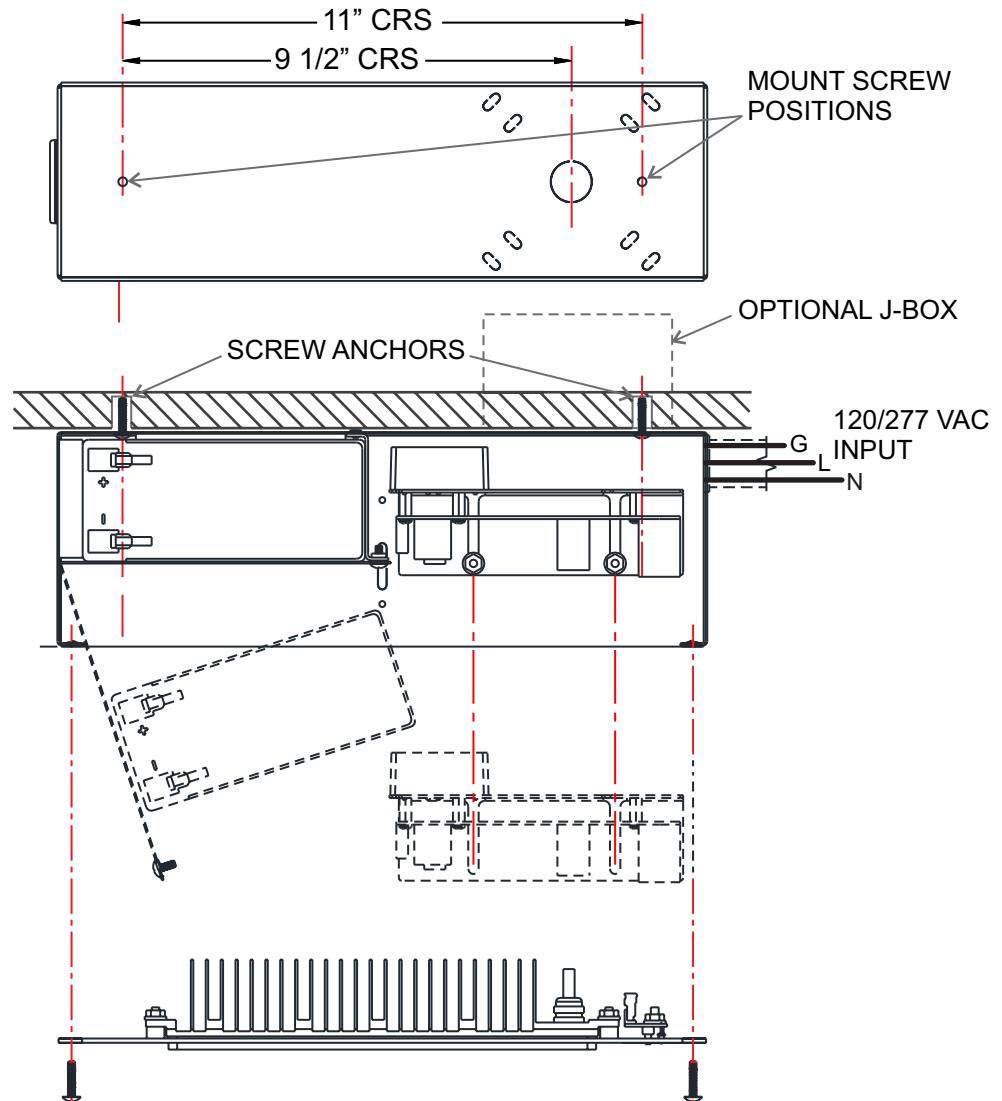
Remove Hanging Wire and place Lamp Assembly into position. Confirm that PTT and LAMP wiring plugs remain clear of Lamp Assembly in cavity above circuit Board. Insert (2) Trim Plate screws and tighten.

5. With AC power ON and battery connected, confirm that LED STATUS INDICATOR is illuminated GREEN. Press the PUSH TO TEST switch button, lamp will illuminate as long as the button is held down.

Full battery charge requires 24 hrs with AC power connected.

Surface Mount

Fig 3



1. See Fig 3. **NOTE: Fixture weight is 13 lb.** and screw anchors of suitable capacity must be used in ceilings. If using J-Box ensure that box is firmly secured in recess. If not using J-Box install (2) Screw Anchors for #10 mount screws supplied, at 11" between centers. If using J-Box, install at 9 1/2" between centers.

2. Proceed as for Surface Mount, from Step 3 to END.

EELP, Inc.
One Neshaminy Interplex Dr
Suite 300
Trevose, PA 19053
(800) 490-4496 www.eelp.net