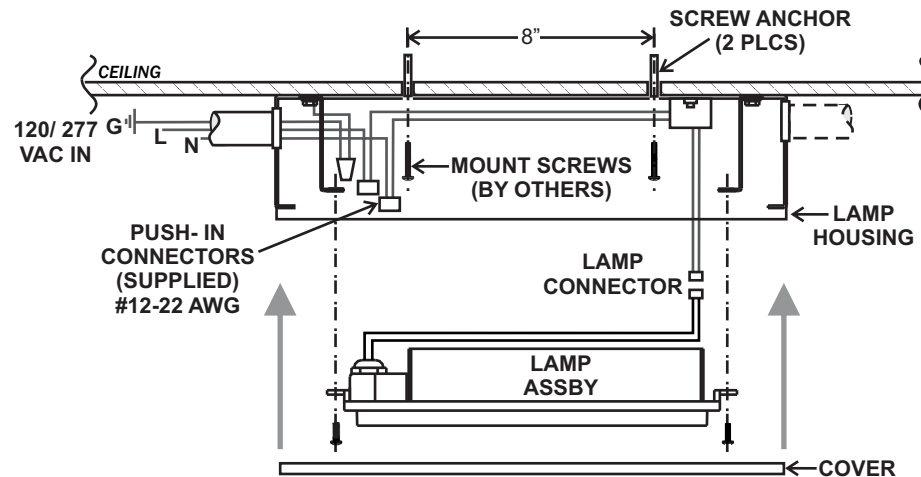


# Installation Instructions & Users Manual

**Fig. 1. DIRECT SURFACE MOUNT**



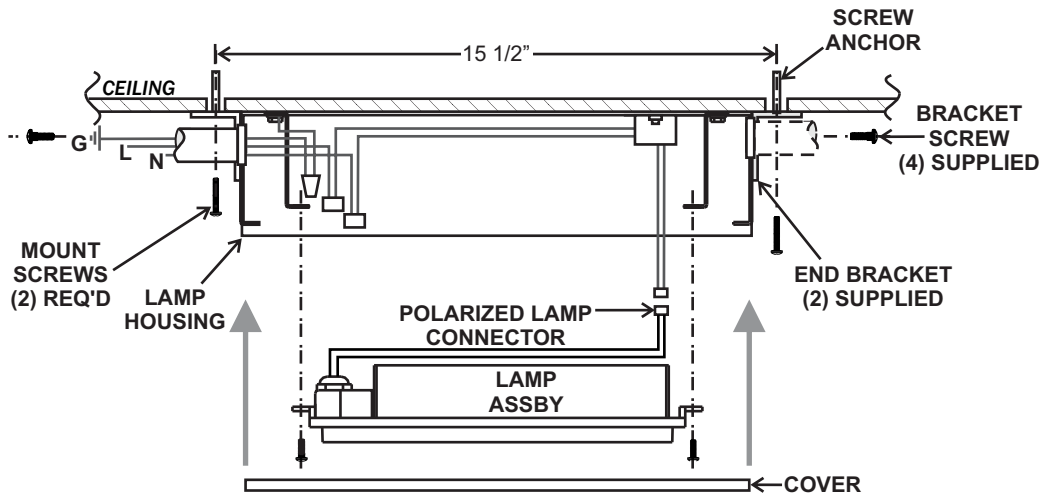
1. See Fig 1. Identify mounting position on ceiling in accordance with fixture layout specifications, and install (2) screw anchors, minimum size #10, at 8" between centers.
2. Insert small flat blade screwdriver or similar tool under notch at either end of cover, twist gently to release snap and lift cover. Unscrew (4) #8 lamp assembly screws, lift lamp assembly from Housing and disconnect lamp plug.
3. Mount housing to ceiling with (2) mount screws. Route 120/ 277 VAC IN/OUT wiring.
4. Connect wiring:
  - BLACK- 120 VAC LINE
  - WHITE- NEUTRAL
  - ORANGE- 277 VAC LINE
  - GREEN- GROUND
5. Reconnect lamp plug and reinstall lamp assembly with (4) #8 screws, and replace cover. Supply power to check lamp operation.

## IMPORTANT SAFEGUARDS READ AND FOLLOW ALL SAFETY INSTRUCTIONS

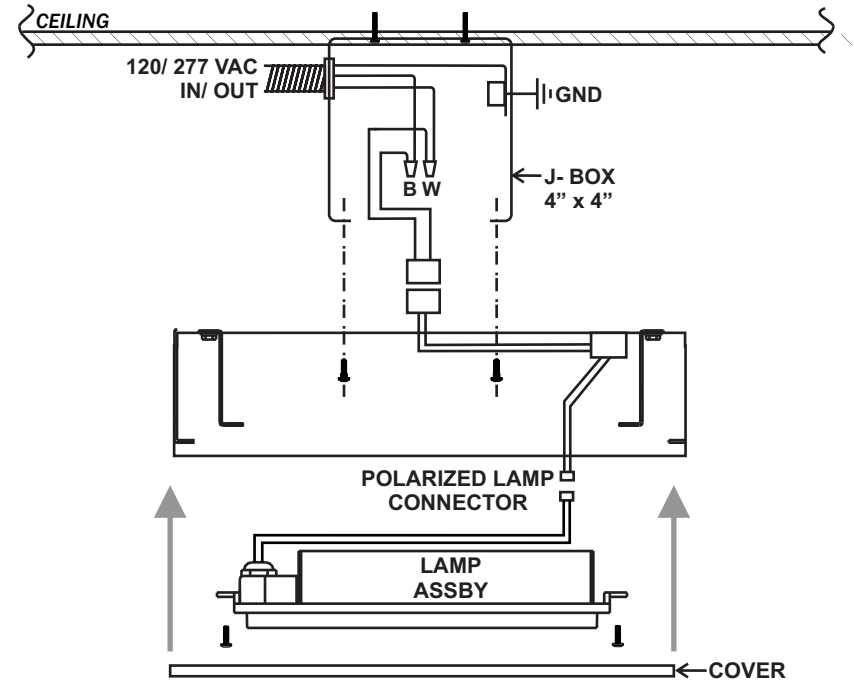
- |  |  |
|--|--|
| <ol style="list-style-type: none"> <li>1. Disconnect AC power before servicing.</li> <li>2. Refer to wiring diagram for proper connections.</li> <li>3. All servicing should be performed by qualified personnel.</li> <li>4. Consult your local building code for approved wiring and installation.</li> <li>5. Do not use outdoors.</li> </ol> | <ol style="list-style-type: none"> <li>6. Do not use this equipment for other than intended use.</li> <li>7. Do not let power cords touch hot surfaces.</li> <li>8. Mount and secure the fixture at a location and height to avoid ready access and tampering by unauthorized persons.</li> <li>9. The use of accessory equipment is not recommended by the manufacturer and may cause an unsafe condition.</li> </ol> |
|--|--|

**SAVE THESE INSTRUCTIONS**

**Fig. 2. SURFACE MOUNT WITH END BRACKETS**



**Fig. 3. SURFACE MOUNT TO J-BOX**



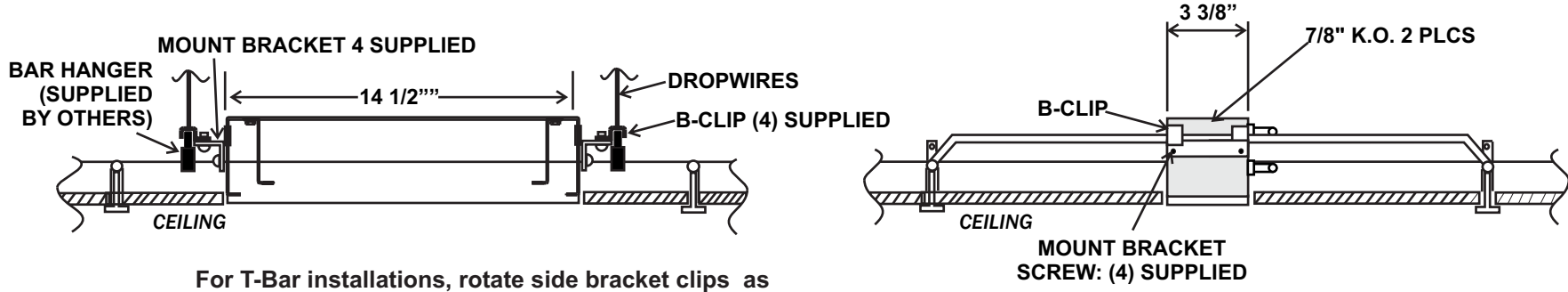
**SURFACE MOUNT WITH END BRACKETS**

1. See Fig 2. Install (2) screw anchors at 15 1/2" centers.
2. Insert flat blade screwdriver under notch at end of cover, twist gently to release cover plate. Unscrew (4) #8 lamp assembly screws, lift lamp assembly from Housing and disconnect lamp plug.
3. Attach end brackets with (4) #8 screws and nuts as shown, mount housing assembly to ceiling and route 120/77 VAC IN/OUT wiring into housing.
4. Proceed as for STANDARD SURFACE MOUNT steps 4 - 5

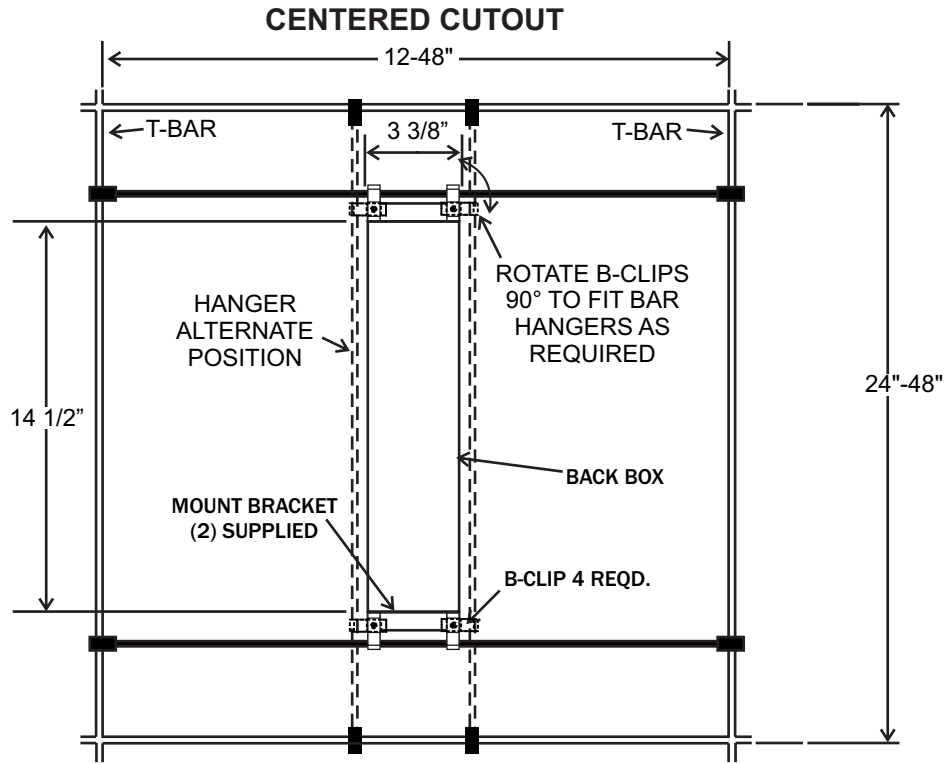
**SURFACE MOUNT TO J-BOX**

1. See Fig 3. Install standard 4" J-box centrally above installation point as shown and secure to ceiling using appropriate screw anchors.
2. Route 120/ 277 VAC IN/OUT wiring into j-box.
3. Proceed as for STANDARD SURFACE MOUNT steps 4 - 5.

**Fig. 3. RECESSED MOUNT: T-BAR CEILING**

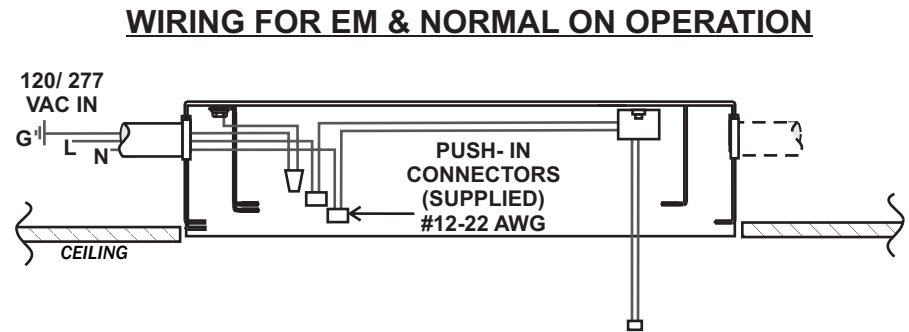
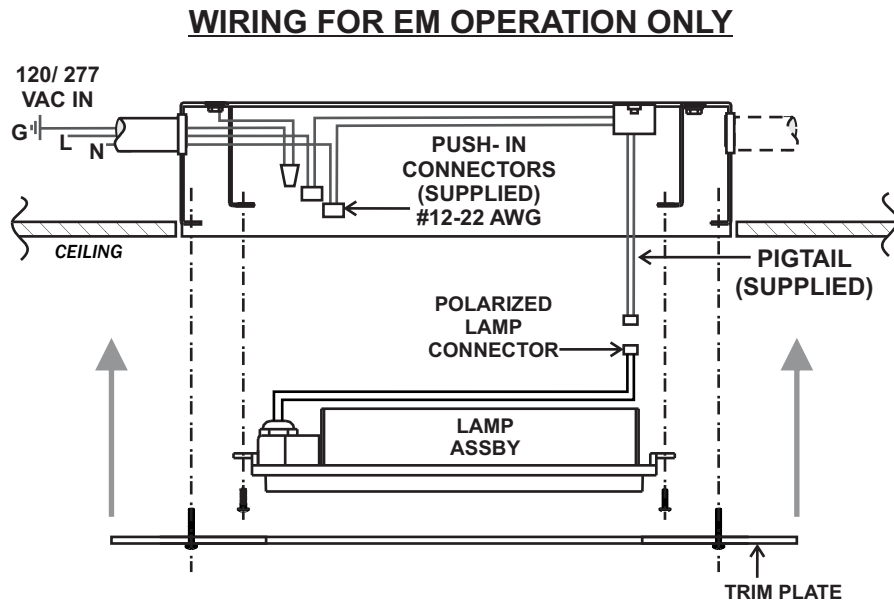


For T-Bar installations, rotate side bracket clips as required to fit T-Bar hangers. For masonry ceilings, attach side brackets to framing.



Install Housing in ceiling using supplied end brackets with B-Clips to framing or hanger bars (supplied by others). Long edges of Housing should be flush or just below finished panel surface.

**Fig. 4. RECESSED MOUNT- WIRING**



1. Route 120/ 277 VAC IN/OUT wiring into Housing.
2. Connect wiring:
  - BLACK- 120 VAC LINE
  - WHITE- NEUTRAL
  - ORANGE- 277 VAC LINE
  - GREEN- GROUND
3. Connect lamp plug and install lamp assembly with (4) #8 screws. Attach Trim Plate with (2) color- matched #8-32 screws as shown.
4. Supply power to check lamp operation.

**EELP, Inc.**  
 One Neshaminy Interplex Dr  
 Suite 300  
 Trevose, PA 19053  
 (800) 490-4496 www.eel