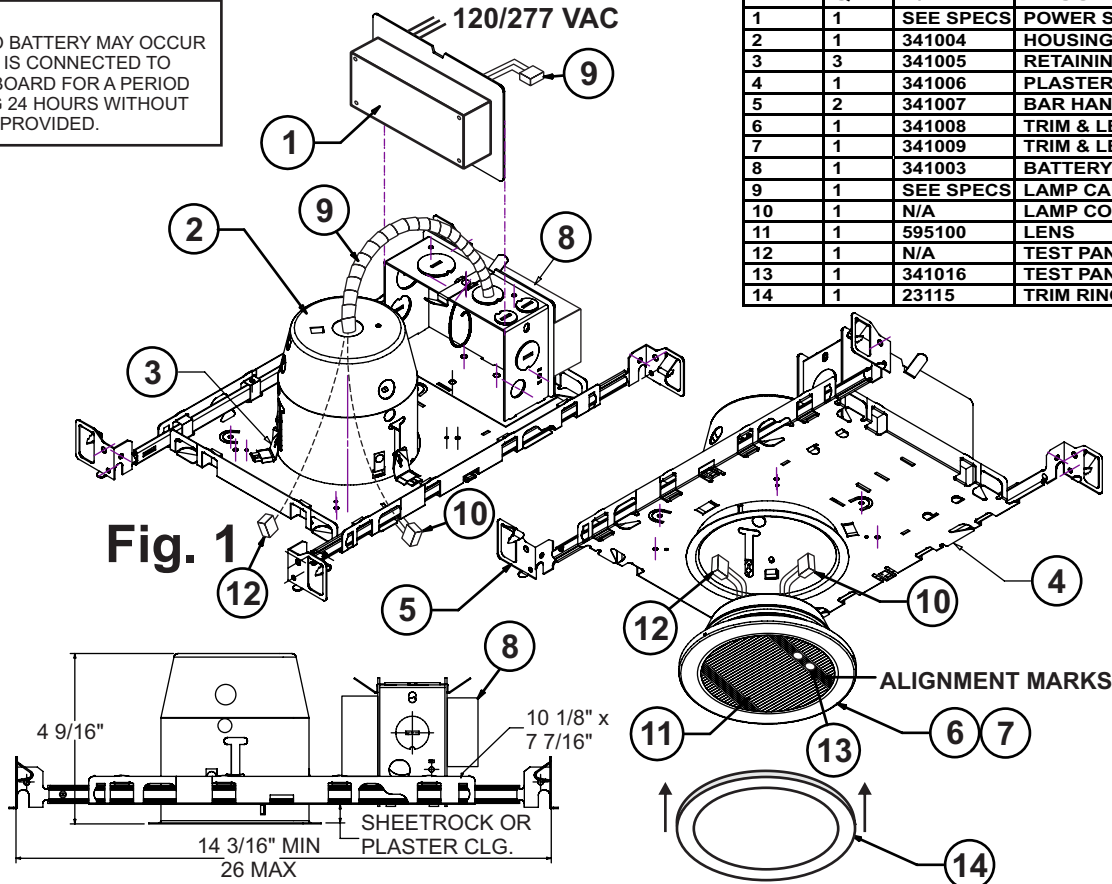


INSTALLATION INSTRUCTIONS AND OWNER'S MANUAL

CAUTION:
DAMAGE TO BATTERY MAY OCCUR IF BATTERY IS CONNECTED TO CHARGER BOARD FOR A PERIOD EXCEEDING 24 HOURS WITHOUT AC POWER PROVIDED.

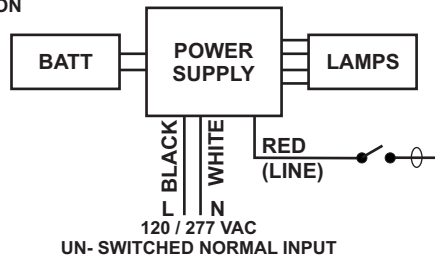
ITEM	QTY	P/N	DESCRIPTION
1	1	SEE SPECS	POWER SUPPLY ASSBY
2	1	341004	HOUSING
3	3	341005	RETAINING CLIP
4	1	341006	PLASTER FRAME
5	2	341007	BAR HANGERS
6	1	341008	TRIM & LED 2- LAMP ASSBY
7	1	341009	TRIM & LED 3- LAMP ASSBY
8	1	341003	BATTERY PACK ASSBY
9	1	SEE SPECS	LAMP CABLE ASSBY
10	1	N/A	LAMP CONNECTER PLUG
11	1	595100	LENS
12	1	N/A	TEST PANEL CONNECTER
13	1	341016	TEST PANEL ASSBY
14	1	23115	TRIM RING

REV 02.15.06



- See Fig 1. Insert three Retaining Clips (3) into Plaster Frame (5) and insert two Bar Hangers (5) into slots provided as shown.
 - Install Plaster Frame assembly into ceiling. Make lamp housing cutout in ceiling plaster or tile.
 - Insert Housing (2) and Lamp Cable Assembly (9) through ceiling cutout. Remove battery pack assembly from j-box for access and connect polarized Lamp Cable plug inside j-box.
 - Run supply wiring to outlet box and make connections from AC building supply to input wiring from charger assembly:
BLACK: 120/277 VAC WHITE: NEUTRAL GREEN: GROUND
Connect polarized battery plug and replace battery pack assembly on to j-box.
 - Raise Lamp Assembly to Housing and connect polarized lamp plug and test panel plug. Route wiring up into Housing and insert Lamp Assembly flush to ceiling panel. Snap Trim Ring (14) in place.
- NOTES (1): LAMPS WILL ILLUMINATE ON BATTERY POWER IF AC SUPPLY IS OFF. TO LIMIT BATTERY DISCHARGE, TURN AC POWER ON.
(2) LAMP ASSEMBLY MUST BE CORRECTLY ORIENTED WITH RESPECT TO PATH OF EGRESS. ROTATE LAMP ASSEMBLY SO THAT ALIGNMENT MARKS ARE IN LINE WITH THE PATH OF EGRESS.
- Apply AC power and check test switch operation

SECURITY LIGHTING SWITCH CONTROL OPTION



IMPORTANT SAFEGUARDS READ AND FOLLOW ALL SAFETY INSTRUCTIONS

- Disconnect AC power before servicing.
- Refer to wiring diagram for proper connections.
- All servicing should be performed by qualified personnel.
- Consult your local building code for approved wiring and installation.
- Do not use outdoors.
- Do not use this equipment for other than intended use.
- Do not let power cords touch hot surfaces.
- Mount and secure the fixture at a location and height to avoid ready access and tampering by unauthorized persons.
- The use of accessory equipment is not recommended by the manufacturer and may cause an unsafe condition.

SAVE THESE INSTRUCTIONS