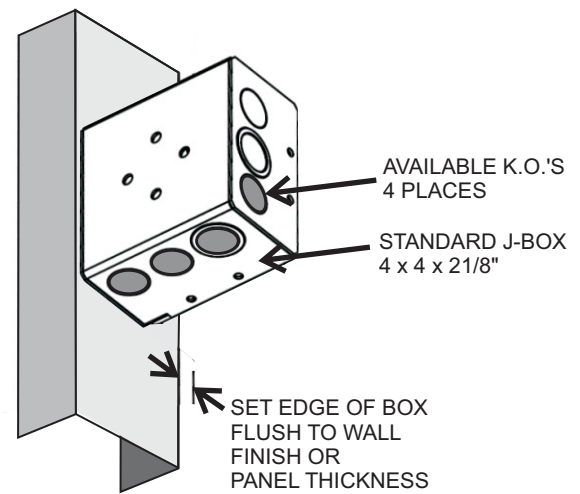
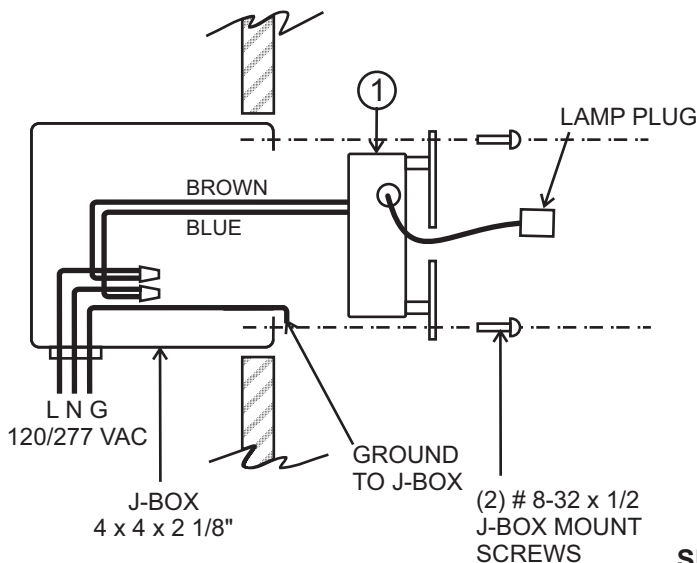


INSTALLATION INSTRUCTIONS AND OWNER'S MANUAL



SUITABLE FOR WET LOCATIONS
AMBIENT TEMPERATURE LIMITS:
Standard models: -20° C to +40° C

J- Box and Supply Wiring

1. See above for available K.O.'s for wiring connectors. Select K.O.'s for AC input wiring. Install standard 4" x 4" deep j-box.

IMPORTANT: SET J-BOX ASSEMBLY TO ALIGN EDGE OF EXTENSION FLUSH OR JUST BELOW FINISH PANEL SURFACE.

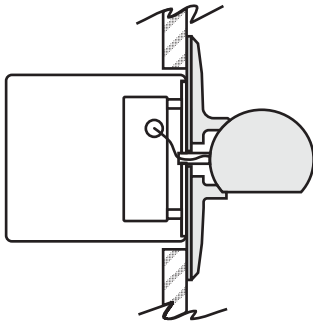
2. See above. Insert Power Supply Assembly (1) into j-box and secure with two #8-32 x 1/2" screws.

3. See above. Connect AC input wiring from power supply assembly to building supply with wire nuts, with Ground connector to j-box: BROWN: 120-277 VAC: BLUE: Neutral.

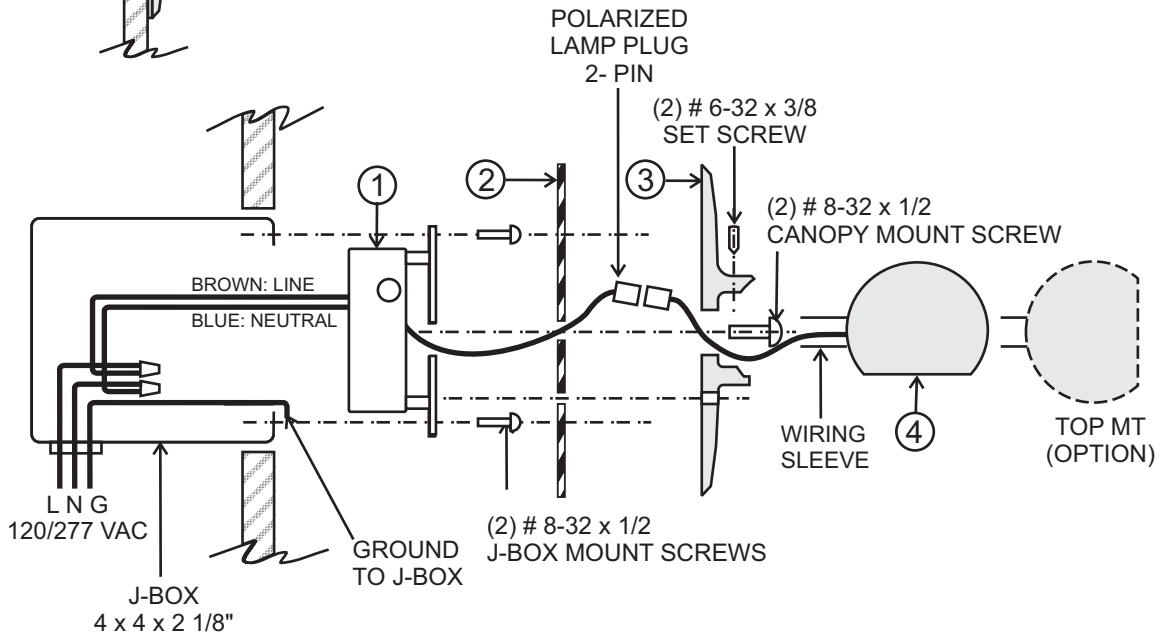
IMPORTANT SAFEGUARDS READ AND FOLLOW ALL SAFETY INSTRUCTIONS

1. Disconnect AC power before servicing.
2. Refer to wiring diagram for proper connections.
3. All servicing should be performed by qualified personnel.
4. Consult your local building code for approved wiring and installation.
5. Do not use this equipment for other than intended use.
6. Do not let power cords touch hot surfaces.
7. Mount and secure the fixture at a location and height to avoid ready access and tampering by unauthorized persons.
8. The use of accessory equipment is not recommended by the manufacturer and may cause an unsafe condition.
9. Suitable for wet locations. See product label for temperature limitations.

SAVE THESE INSTRUCTIONS



ITEM	QTY	P/N	DESCRIPTION
1	1	346600	POWER SUPPLY ASSBY
2	1	346202	GASKET
3	1	346302	CANOPY
4	1	346501	HOUSING ASSBY



Fixture Assembly

1. Run polarized Lamp Plug from power supply through Gasket (2).
2. Route Lamp Plug through Gasket (2) and Canopy (3); locate Canopy in position. Secure with two #8-32 x 1/2" screws and tighten evenly.
3. Connect Lamp Plug from Housing (4).
4. Gently insert plug assembly and wiring sleeve through the gasket into j-box, locate Housing and Gasket in position and secure with two #6-32 x 3/8" set screws.
5. Turn on AC supply to operate.