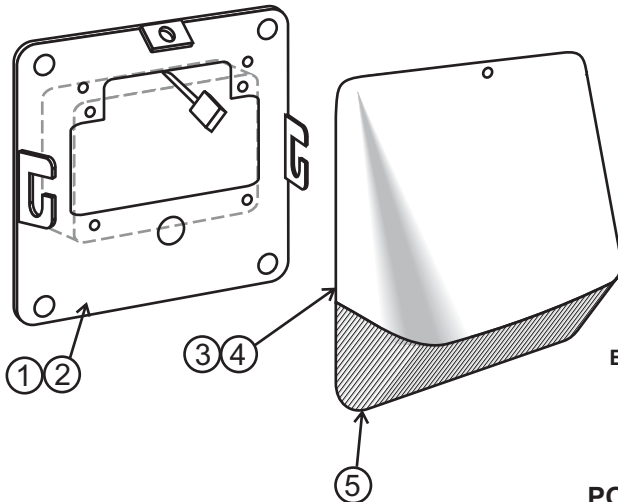
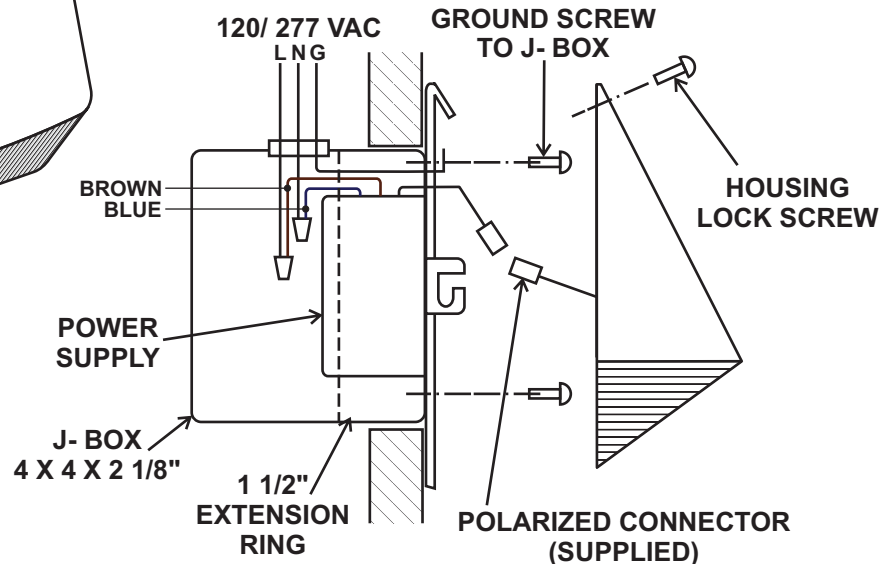


INSTALLATION INSTRUCTIONS AND OWNER'S MANUAL



ITEM	QTY	P/N	DESCRIPTION
1	1	342007	BASE PLATE ASSBY AC 2L
2	1	342008	BASE PLATE ASSBY AC 3L
3	1	342002	HOUSING ASSBY 2 LAMP
4	1	342003	HOUSING ASSBY 3 LAMP
5	1	608100	LENS



If product is supplied assembled, to separate housing and base remove #6-32 lock screw at top of housing and move housing up and out to release pins.

1. Install standard 4 x 4" deep j-box with 1 1/2" extension ring.
2. Connect the AC input wires from fixture to 120/277 VAC supply with standard wire nuts:
 BROWN: LINE (120/ 277 VAC)
 BLUE: NEUTRAL
 GREEN: GROUND
 Route ground wire around one of the base mount screws.
3. Mount base plate assembly to j-box, flush to wall panel.
4. Connect LED lamp plugs (2 or 3), insert side pins in slots on base and tighten housing lock screw.
5. Apply AC power and check lamp operation.

IMPORTANT SAFEGUARDS READ AND FOLLOW ALL SAFETY INSTRUCTIONS

1. Disconnect AC power before servicing.
2. Refer to wiring diagram for proper connections.
3. All servicing should be performed by qualified personnel.
4. Consult your local building code for approved wiring and installation.
5. Do not use outdoors.
6. Do not use this equipment for other than intended use.
7. Do not let power cords touch hot surfaces.
8. Mount and secure the fixture at a location and height to avoid ready access and tampering by unauthorized persons.
9. The use of accessory equipment is not recommended by the manufacturer and may cause an unsafe condition.

SAVE THESE INSTRUCTIONS