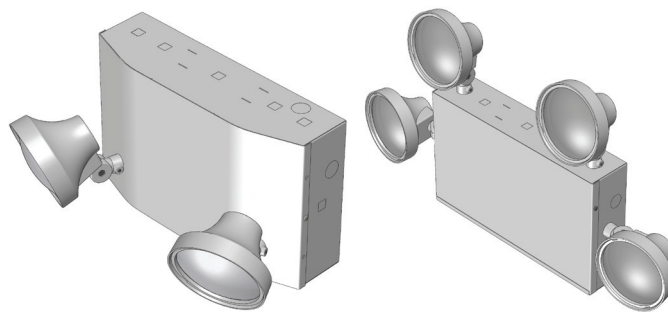


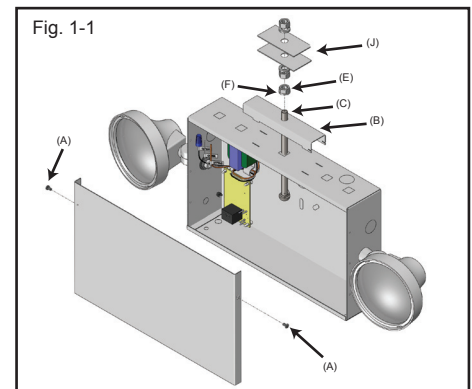
SAVE THESE INSTRUCTIONS!
READ CAREFULLY AND FOLLOW ALL INSTRUCTIONS FOR YOUR OWN SAFETY

- **DISCONNECT AC POWER SUPPLY BEFORE SERVICING.**
- Installation and servicing of this equipment should be performed by qualified service personnel only.
- Ensure the electricity connections conform to the National Electrical Code and local regulations if applicable.
- Do not mount near gas or electrical heaters.
- Equipment should be mounted in locations and at heights where it will not readily be subjected to tampering by unauthorized personnel.
- The use of accessory equipment not recommended by the manufacturer may cause an unsafe condition. Any modification or use of non-original components will void the warranty and product liability.
- Do not use this equipment for other than intended use.



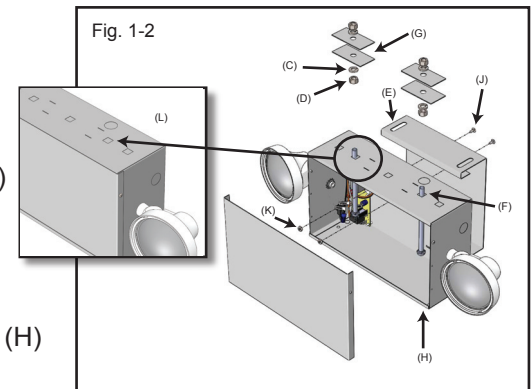
INSTALLATION AND OPERATION INSTRUCTIONS

1. Remove (A) 6-32 X 1/4" screws securing cover and set aside (Fig. 1-1)
2. Remove appropriate knockouts for conduit and lamp(s). If stem option is desired proceed to step 3.
3. Stem option (Fig. 1-1) 18W - 54W
 - a. Install bracket (B)
 - b. Thread 1st nut (E) and lock washer (F) onto carriage bolt (C)
 - c. Thread 2nd nut (E) and lock washer (F) onto carriage bolt (C)
 - d. Guide mounting plates (J) onto carriage bolt (C)
 - e. Thread 3rd nut (E) and lock washer (F) onto carriage bolt (C)
 - f. Adjust mounting brackets to desired spacing and tighten nuts.



Stem option (Fig. 1-2) 100W

- a. Install bracket (E) to backside of enclosure (H)
- b. Guide carriage bolts (F) through knockouts (L) from inside of enclosure (H)
- c. Thread 1st nut (C) and lock washer set (D) onto carriage bolts (F)
- d. Guide mounting plates (G) onto carriage bolt (F)
- e. Thread 2nd nut (C) and lock washer set (D) onto carriage bolts (F)
- f. Adjust mounting brackets to desired spacing and tighten nuts.
- g. Use screws (J) and nuts (K) to fasten backside of bracket (E) to enclosure (H)



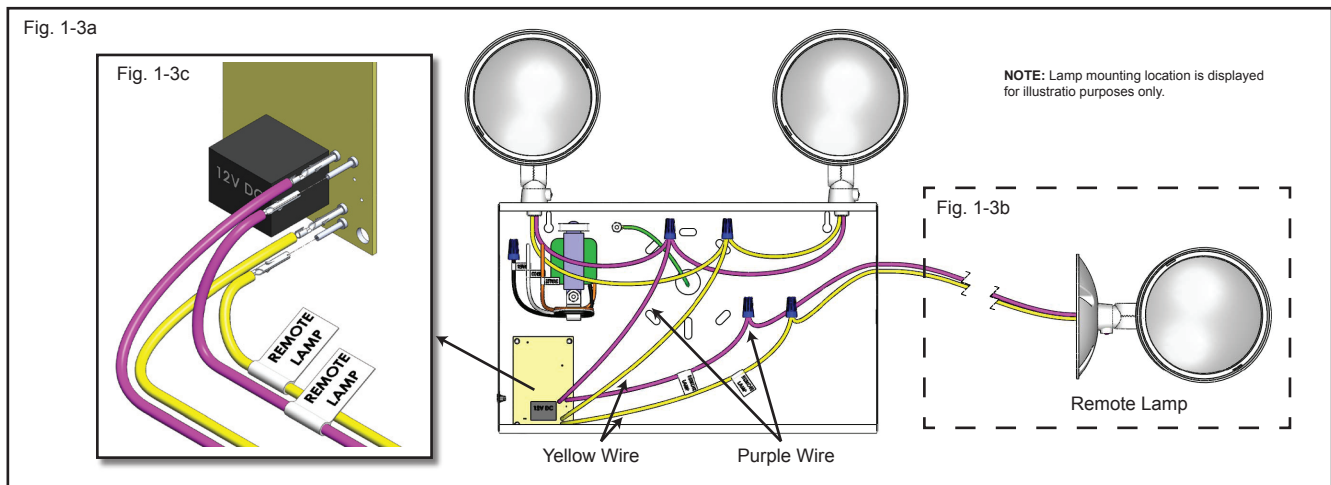
STEEL UNIT EQUIPMENT INSTALLATION INSTRUCTIONS

4. Make lamp connections as follows;

a. Install unit mounted lamps in desired locations with supplied hardware.

Wire lamp yellow wires to PCB yellow wire and secure with wire nut.
Wire lamp purple wire to PCB purple wire and secure with wire nut. (Fig. 1-3a)

b. If remote lamps are to be installed (Fig. 1-3b) connect the yellow and purple wires labeled REMOTE LAMP to the post on PCBA (Fig. 1-3c)

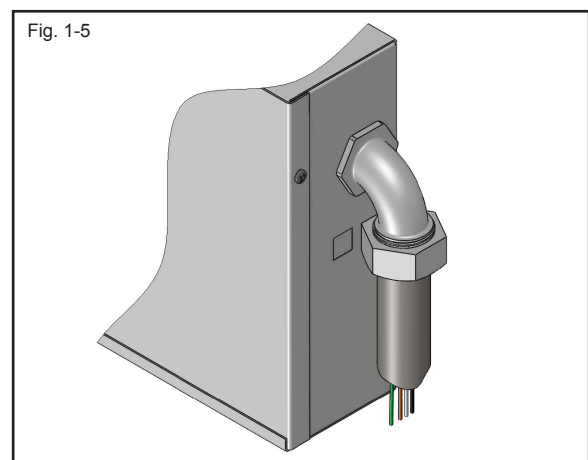
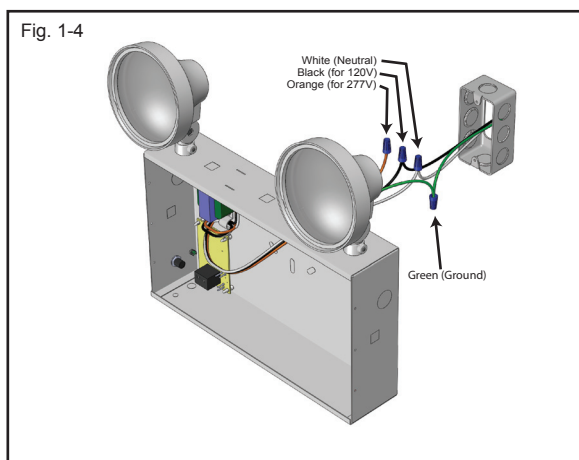


5. Make electrical hookups at this time:

120V AC	277V AC
White - Common	White - Common
Black - 120V	Orange - 277V
Green - Ground	Green - Ground

Electrical connections should be made in junction box. Cap unused primary wire to prevent shorting. (Fig. 1-4)

Alternately, knockouts are available if conduit is required (Fig. 1-5)



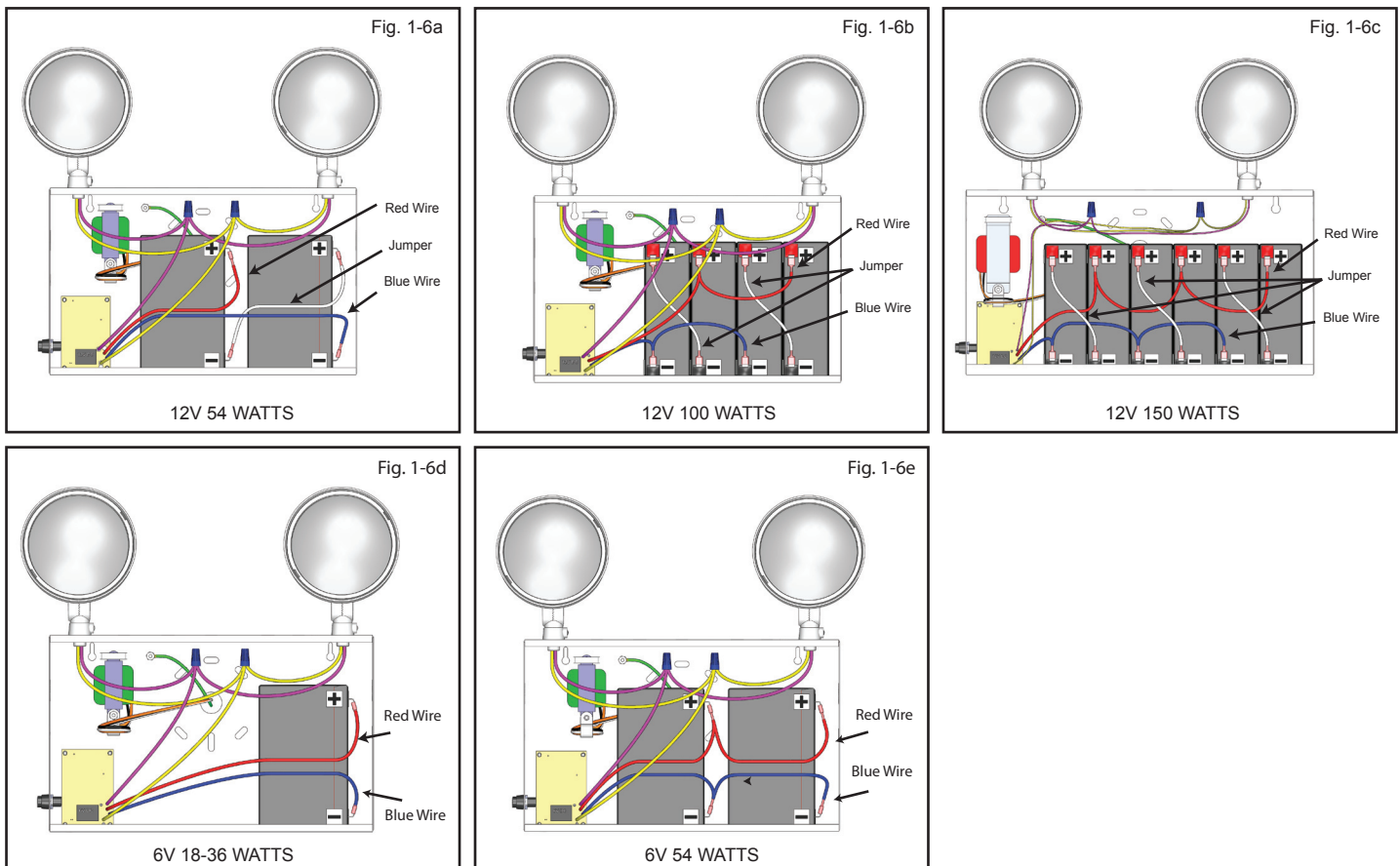
STEEL UNIT EQUIPMENT INSTALLATION INSTRUCTIONS

6. Make appropriate battery lead connections. (Battery wire Diagrams Fig. 1-6)

- a. Fig. 1-6a for 12V 54W units
- b. Fig. 1-6b for 12V 100W units
- c. Fig. 1-6c for 12V 150W units
- d. Fig. 1-6d for 6V 18-36W units
- e. Fig. 1-6e for 6V 54 W units

7. Secure cover using (A) 6-32x1/4" screws set aside in step 1

BATTERY CONNECTIONS FIG. 1-6



Standard Operation Instructions

1. Energize un-switched AC power to unit
2. Verify indicator light is illuminated
3. Press test button and verify lamps turn on

NOTE: If lamps do not illuminate, allow unit to charge for 30 min

4. Leave AC connected for rated charge time prior to performing any full length test
5. Refer to section (Self-Test/Self-Diagnostics) for units equipped with G2 or ST for calibration and operation.

STEEL UNIT EQUIPMENT INSTALLATION INSTRUCTIONS

SELF-TEST/SELF-DIAGNOSTIC OPERATING INSTRUCTIONS

KEEP THESE INSTRUCTIONS FOR FUTURE REFERENCE

Installation

IMPORTANT: ONCE ALL EMERGENCY LAMPS HAVE BEEN CONNECTED TO THE UNIT EQUIPMENT, APPLY NORMAL AC POWER AND CHARGE FOR 48 HOURS. PRESS AND HOLD TEST BUTTON UNTIL LED INDICATOR TURNS ORANGE. THIS CALIBRATES THE UNIT EQUIPMENT FOR THE PROPER LOAD. **(On initial installation)**

Operation

The purpose of this option is to provide self-testing and self-diagnostic capabilities to the unit equipment. At predetermined intervals, the unit equipment will automatically switch into battery mode. The unit equipment will also perform various self-diagnostic tests of the unit. Visual signaling will alert maintenance personnel to a fault of the unit equipment electronics, emergency lamp(s), battery and/or battery charger. The circuitry continuously monitors the operating condition of the unit equipment and battery charging circuit/battery supply voltage.

Self Test Features

- The unit equipment will automatically switch to battery mode every 28 days for a period of 1 minutes.
- The unit equipment will automatically switch to battery mode every 6 months for a period of 30 minutes.

Manual Test Features (After initial calibration)

- Press the TEST BUTTON momentarily for a 2 second test.
- Press the TEST BUTTON until the LED turns ORANGE for a manual 1 minute test.
- Press the TEST BUTTON until the LED flashes RED/GREEN for a manual 30 minute test.

LED Indication	LED Color	Unit Condition	Comment
Steady	Green	Float Charge	Batt Fully Charged
Pulse	Green	Hi-Rate Charge	Batt Under High-Rate Charge
Steady	Red	Low Batt Voltage	Replace Battery
Pulse	Red	Emer Lamp Failure	Replace Damaged or Missing Lamps
Steady	Orange	No AC Power Charge Failure 1 Minute Test	Check AC Connection Replace Transformer 1 Min Test Every 28 Days
Pulse	Orange	Batt Disconnected	Check Batt Connections
LED Color	Red/Green	30 Minute Test	30 Min Test Every 6 Months