

INSTALLATION INSTRUCTIONS

LED INDUSTRIAL CLASS I DIVISION 2 EXIT SIGN

IMPORTANT SAFEGUARDS

When using electrical equipment, basic safety precautions should always be followed including the following.

READ AND FOLLOW ALL SAFETY INSTRUCTIONS

1. Make sure the area is NON-HAZARDOUS before installing or servicing the unit.
2. Turn off electrical power before and during installation.
3. Turn off electrical power and allow the unit to cool off before opening for maintenance or servicing.
4. Do not install where the marked operating temperatures (T-Code) exceed the ignition temperature of the hazardous atmosphere.
5. Keep tightly closed when in operation.
6. Do not mount near gas or electric heaters.
7. Avoid possible shorting.
8. Equipment should be mounted in locations and at heights where it will not readily be subject to tampering by unauthorized personnel.
9. The use of accessory equipment not authorized by the manufacturer may cause an unsafe condition.
10. Do not use this equipment for other than its intended purpose.
11. Servicing of this equipment should only be performed by qualified service personnel.

WALL MOUNT - INSTALLATION WITH MOUNTING BRACKETS (1-face units)

1. The branch circuit supply shall be disconnected prior to installation.
2. Mount the (2) surface mounting brackets provided onto the backplate and secure using the four #7-21x3/8" Flat head screws provided (Figure 2).
3. Place the housing on the required surface. Drill (4) mounting holes on the wall, using the mounting bracket holes as a drilling template. Tap in using a mallet, the four screw anchors into the holes (Figure 2).
4. Remove the (6) plastic caps, (6) screws and (12) O-rings from the EXIT lens and set aside.
5. Separate the lens and EXIT panel assembly (three pieces) from the housing.
6. Feed the AC Supply power leads through the hub assembly into the EXIT Sign enclosure.
7. Refer to the "Wiring Diagrams" section (see page 4) and make electrical connections inside the enclosure using Listed wire connectors suitable for the number and size of the conductors. Use suitable wiring method in accordance with the NEC and CEC local codes for the specific Hazardous Location. Cap off the unused (Red or Black) lead. Ensure that the wires are tucked away neatly in the channel between the interior frame and external enclosure. Complete battery connection for units with batteries.
8. Remove one or both of the directional indicators from the EXIT panel, as needed.
9. Reinstall the lens and EXIT panel assembly using the (6) plastic caps, (6) screws and (12) O-rings previously removed (under step 4) and set aside. Tighten the screws enough to compress the O-rings to ensure a good sealed joint. Be careful to not over-tighten, as that could result in damaging the lens and affect proper sealing of the unit.
10. Mount the Exit sign to the wall surface using the four #1/4-8x1-1/4" pan head mounting screws and previously installed screw anchors.
11. Apply power. For units with battery, allow the unit to charge for 24 hours before testing it in emergency mode.

Installation Instructions

PENDANT MOUNT INSTALLATION (2-face units)

1. The branch circuit supply shall be disconnected prior to installation.
2. Remove the (6) plastic caps, (6) screws and (12) O-rings from the EXIT lens and set aside.
3. Separate the lens and EXIT panel assembly (three pieces) from the housing.
4. Position and install the conduit (pendant) and feed the AC supply wires through the end of the pendant. Feed the AC Supply power leads through the hub assembly into the EXIT Sign enclosure.
5. Refer to the "Wiring Diagrams" section (see page 4) and make electrical connections inside the enclosure using Listed wire connectors suitable for the number and size of the conductors. Use suitable wiring method in accordance with the NEC and CEC local codes for the specific Hazardous Location. Cap off the unused (Red or Black) lead. Ensure that the wires are tucked away neatly in the channel between the interior frame and external enclosure. Complete battery connection for units with batteries.
6. Remove one or both of the directional indicators from the EXIT panels, as needed.
7. Reinstall the lens and EXIT panel assembly using the (6) plastic caps, (6) screws and (12) O-rings previously removed (under step 2) and set aside. Tighten the screws enough to compress the O-rings to ensure a good sealed joint. Be careful to not over-tighten, as that could result in damaging the lens and affect proper sealing of the unit.
8. Apply power. For units with battery, allow the unit to charge for 24 hours before testing it in emergency mode.

OPERATION & TESTING

National Electric Code (NEC) and NFPA 101 current Life Safety code requirements require that routine tests need to be performed as listed below:

1. Once every month, the unit needs to be tested for a duration of 30 seconds. Place and hold the magnet near the magnetic switch on the fixture to perform this test (Figure 3).
2. Once every 12 months, a full 90 minute (per UL requirements) test needs to be performed on the unit. Disconnect power to the unit and leave it in the emergency mode. The EXIT should stay ON for at least 90 minutes.

Written records of the testing are to be kept for examination by the authority having jurisdiction.

LED STATUS INDICATOR KEY and TROUBLESHOOTING

LED status	Indication	Action to take
Red	<ol style="list-style-type: none">1. Battery connection is not made.2. Battery has been diagnosed as dead or defective after 24 hours of continuous charging with AC power supplied.	<ol style="list-style-type: none">1. Make connection; or if battery is connected, disconnect battery for eight seconds and then reconnect.2. Replace the battery.
Green	Battery is connected, AC power has been supplied and fixture is in charging state.	This is the normal state. No action required.
Unlit	AC power has not been supplied or unit is in EM mode.	Supply AC power or wait until utility power is restored.

MAINTENANCE

Caution: Always turn off AC power to the equipment before servicing. Servicing should be performed only by a qualified service technician. Use only MANUFACTURER supplied replacement parts.

BATTERY: The battery supplied requires no maintenance. However, it should be tested periodically and replaced when it no longer operates the connected unit for the duration of a 30-second or 90-minute test.

Installation Instructions

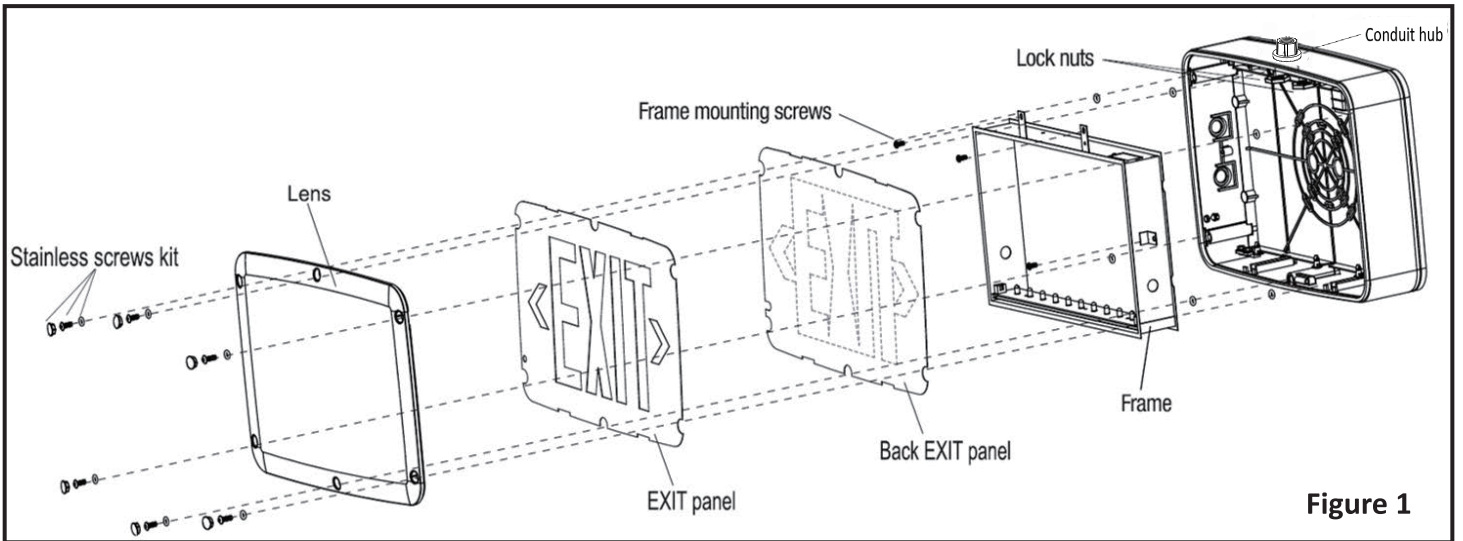


Figure 1

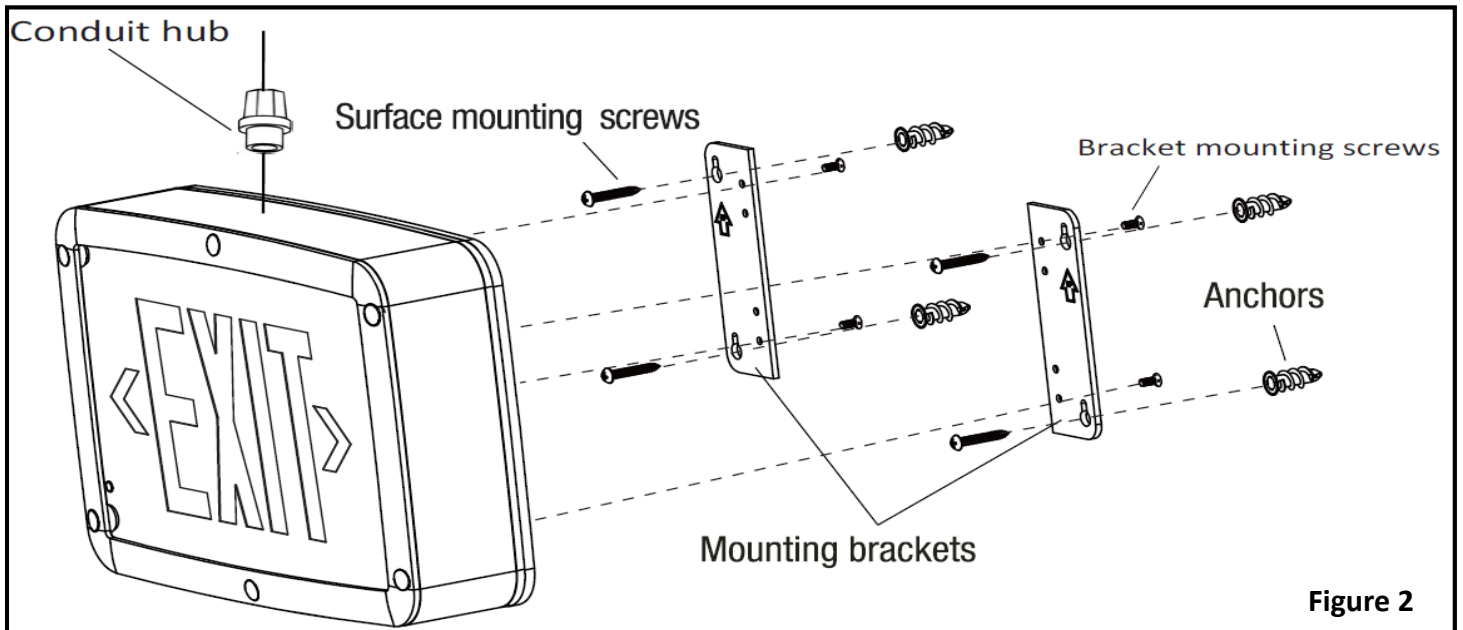
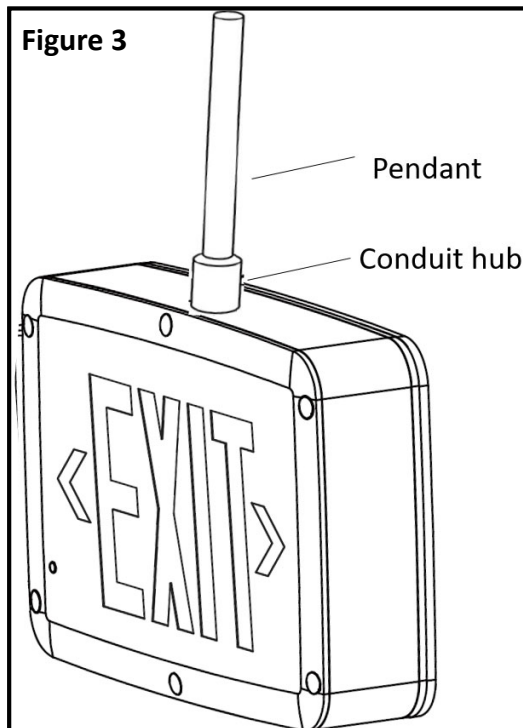
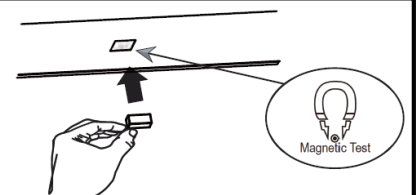


Figure 2



MAGNETIC TEST

NOTE: Only for battery version.



Installation Instructions

Wiring Diagrams:

Warning: Insulate the unused lead wires, Red (277V) or Black (120V) from the transformer, using Listed wire connectors suitable for the number and size of the conductors

