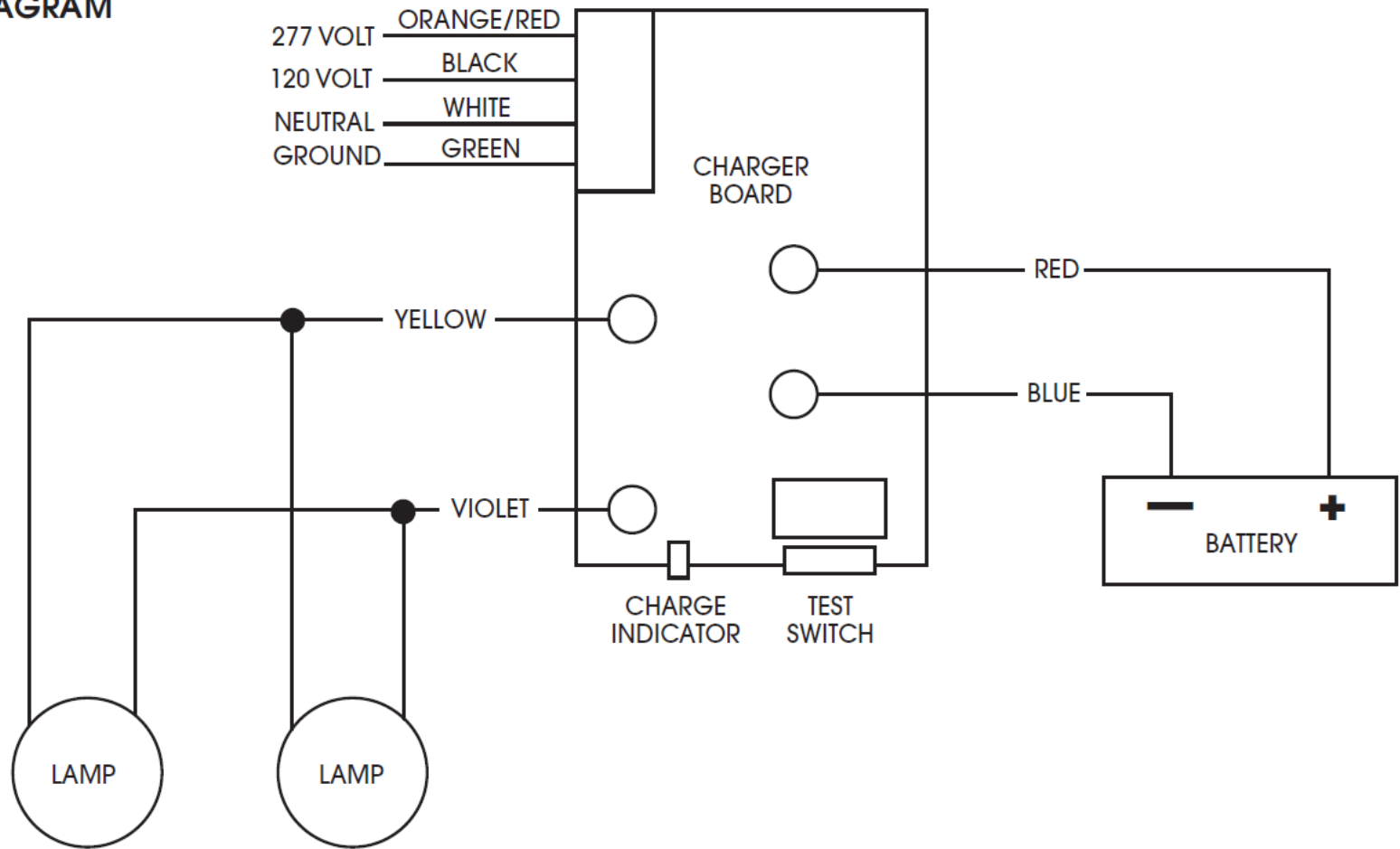


# WIRING DIAGRAM



**EM3R-LED**