

# INSTALLATION INSTRUCTIONS

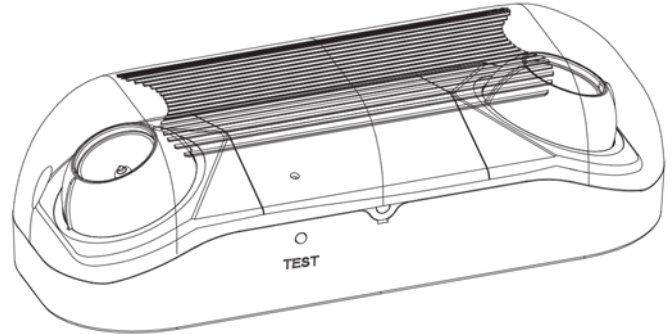
## WET LOCATION EMERGENCY LIGHTING UNIT WITH ROUND 'MR-16' TYPE LAMP HEADS

### READ AND FOLLOW ALL SAFETY INSTRUCTIONS

**CAUTION:** The battery in this unit may not be fully charged. After electricity is connected to unit, let battery charge for at least 24 hours, then normal operation of this unit should take effect. To check, press TEST button. The emergency lamps should illuminate.

**IMPORTANT SAFEGUARDS:** When using electrical equipment, basic safety precautions should always be followed, including the following:

1. Equipment should be mounted securely in locations and at heights where it will not be readily subjected to tampering by unauthorized personnel.
2. Do not mount near gas or electric heaters.
3. Cap unused wires with enclosed wire nuts or other approved method.
4. Do not use this equipment for anything other than its intended use.
5. The use of accessory equipment not recommended by the manufacturer will void product listing and warranty and may cause an unsafe condition.
6. Disconnect AC power before servicing and installation.
7. Consult local building code for approved wiring and installation.
8. Use caution when servicing batteries.
9. Any service on this equipment should be performed by qualified personnel only.
10. Make sure wire terminations are secure and leads are properly tucked in appropriate wire channels.



### INSTALLATION (J-BOX MOUNTING):

**NOTE:** The maximum mounting height for this model is 8 feet.

1. Unscrew the PC cover from the front and pull the unit out.
2. Mount housing onto J-Box and secure with screws. Drill a hole on the back of the housing to pull the input wires out. Connect wires through J-Box.
3. Connect battery only after continuous AC power can be provided to the unit.
4. Place the unit back into the housing. Replace the PC cover and screw back on to the housing.
5. Apply continuous AC power. For 120V supply connect line wire to Black lead; for 277V supply connect line wire to Red lead. Connect neutral wire to White lead. Press "TEST" button to check for proper operation of the unit.

### OPERATION:

1. Apply AC power to the unit. The LED Indicator should turn RED.
2. After the battery has been left to charge for 2 hours, test the unit by pushing the switch. The LED indicator turns OFF and the lamps on the unit turn ON.
3. When the switch is released, the lamps turn OFF and the LED indicator turns back to RED.

**SAVE THESE INSTRUCTIONS!**

# INSTALLATION INSTRUCTIONS

## WET LOCATION EMERGENCY LIGHTING UNIT WITH ROUND 'MR-16' TYPE LAMP HEADS

### MAINTENANCE:

Caution: Always turn off AC power to the equipment before servicing. Servicing should be performed only by a qualified service technician. Use only MANUFACTURER supplied replacement parts.

1. BATTERY: The battery supplied in this equipment requires no maintenance. However, it should be tested periodically (see TESTING) and replaced when it no longer operates the connected fixtures for the duration of a 30-second or 90-minute test. The battery supplied in this equipment has a life expectancy of 5-7 years when used in a normal ambient temperature of 72°F.
2. OTHER: Clean lenses and replace lamps, as and when required.

### TESTING:

National Electric Code (NEC) and NFPA life safety code regulations require that routine tests need to be performed as listed below:

Once every month, the unit needs to be tested for duration of 30 seconds. Push in and hold the test switch to perform this test. Once every 12 months, a full 90 minute (per UL requirements) test needs to be performed on the unit. Disconnect power to the unit and leave it in the emergency mode. The lamps should stay ON for atleast 90 minutes.

### TROUBLE - SHOOTING:

Condition - The emergency lights do not operate

1. If the charge indicator light is off: Check that the circuit breaker for AC supply is ON.
2. If the charge indicator light is ON: Check that battery is properly connected. If problem persists, Replace battery.

Condition - Emergency lights are dim

1. Battery not fully charged. Allow battery to recharge for 24 hours and then retest. If lights are still dim, replace battery.