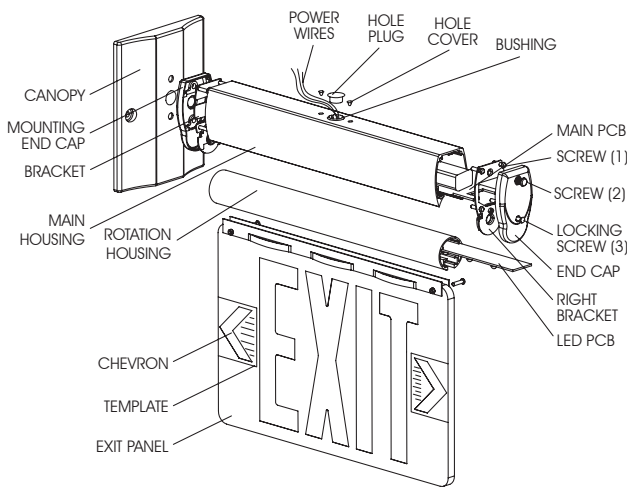
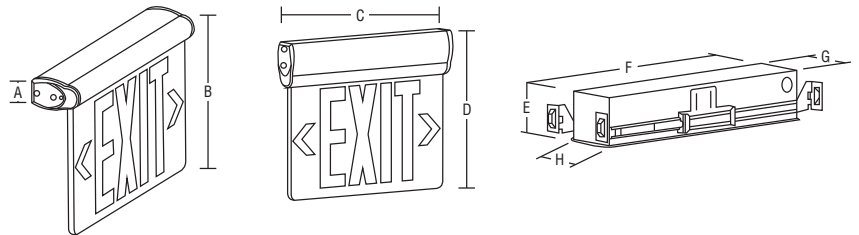




- 120VAC to 277VAC INPUT
- HT (AC ONLY), or SA (SELF-POWERED)



	A	B	C	D
<b>CRV</b>	1.63" 41mm	8.5" 216mm	12.13" 308mm	9.75" 248mm
<b>Back box</b>	E 3" 76mm	F 14.56" 370mm	G 3.125" 79mm	H 5.5" 140mm



## IMPORTANT SAFEGUARDS

When using electrical equipment, basic safety precautions should always be followed including the following:

### READ AND FOLLOW ALL SAFETY INSTRUCTIONS.

1. Do not let power cords touch hot surfaces.
2. Do not mount near gas or electric heaters.
3. Equipment should be mounted in locations and at heights where unauthorized personnel will not readily subject it to tampering.
4. The use of accessory equipment not recommended by EELP, Inc., may cause an unsafe condition, and will void the warranty.
5. Do not use this equipment for other than its intended purpose.
6. Servicing of this equipment should be performed by qualified service personnel.

### SAVE THESE INSTRUCTIONS!

**First make sure power is turned off!**  
**SURFACE CEILING / WALL MOUNTING**

1. Attach crossbar to junction box, using screws if needed.  
(Screws are not provided)
2. Feed AC supply wires through canopy center hole.
3. Assemble canopy onto aluminum housing with two (2) #10-24 screws (supplied) and make proper wire connections.
4. Affix chevron(s) as required to EXIT panel firmly and then remove the template from the panel carefully. **NOTE: When chevron(s) is being taped on the EXIT panel, you can not use it again once you remove it. Please be careful before removing chevron(s).**
5. Use two (2) M4-40 screws (supplied) to tighten canopy to the crossbar.
6. The unit can be installed on any surface. You may rotate the EXIT panel in any angle from 0° to 180°. Fix the EXIT panel using locking screw(s) if needed.

**WARNING** ⚠

No user serviceable parts. Refer service to a qualified service technician. Read instructions prior to installing and/or operating this device. Installation should be performed by a licensed electrician/installer in accordance with local codes.

**SURFACE END MOUNTING**

1. Attach crossbar to junction box, using screws if needed. (Screws are not provided).
2. Remove the opposite mounting end cap and knock out the holes on the cap for pulling through wires and assembly screws.
3. Pull out all AC supply wires and feed wires through the centre holes of end cap (first) and then canopy.
4. Assemble canopy and end cap to metal bracket with two (2) #10-24 screws (supplied) and make proper wire connections.
5. Remove bushing and insert plug & rivets into housing top holes to close the holes on the aluminum housing.
6. Affix chevron(s) as required to EXIT panel firmly and then remove the template from the panel carefully. **NOTE: When chevron(s) is being taped on the EXIT panel, you can not use it again once you remove it. Please be careful before removing chevron(s).**
7. Use two (2) M4-40 screws (supplied) to tighten canopy to the crossbar.
8. The unit can be installed on any surface. You may rotate the EXIT panel in any angle from 0° to 180°. Fix the EXIT panel using locking screw(s) if needed.

FIG. 1 SURFACE CEILING MOUNTING

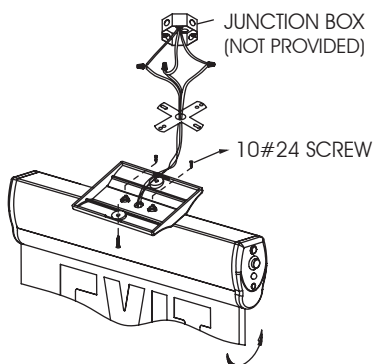


FIG. 2 SURFACE WALL MOUNTING

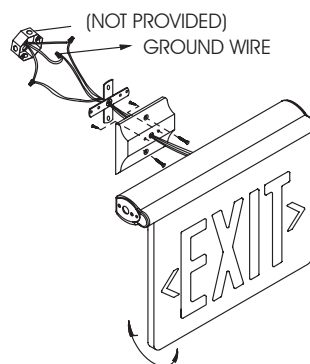
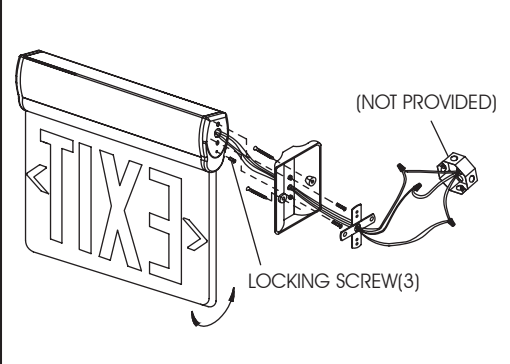


FIG. 3 SURFACE END MOUNTING



**First make sure power is turned off!**

1. Open endcap with test switch and LED indicator cables, and pull cables through holes to outside.
2. Position metal housing and bar hangers between joists.  
Make sure bar hangers are oriented in the correct position. Position metal housing temporarily by hammering "nail-in" tabs on bar hangers, then secure permanently with nails. Bar hangers should be level with bottom of joists.
3. Adjust height of metal housing vertically using adjusting slots and tightening all screws on adjusting slots and bar hanger bracket to secure adjusting bracket and bar hanger.
4. Make proper electrical connections of J-Box in the metal box. Note: You may use holding wire during wiring. (See Fig. 4)
5. Take off the test switch (with male connector) and LED indicator (with female connector) from the endcap and install to the trim plate. (for emergency battery backup unit only. See Fig. 3)
6. Determine direction for chevron placement. Peel adhesive chevron(s) from backing liner and place into the marked position on the template. Firmly press chevron corners and edges, then peel template off and leave chevron in place.
7. Secure trim plate by using provided screws.

**WARNING** 

No user serviceable parts. Refer service to a qualified service technician. Read instructions prior to installing and/or operating this device. Installation should be performed by a licensed electrician/installer in accordance with local codes.

**NOTE: For recessed wall mounting, you may follow all procedures as recessed ceiling mounting then rotate the exit panel 90° after securing trim plate.**

**SAVE THESE INSTRUCTIONS!**

FIG. 1

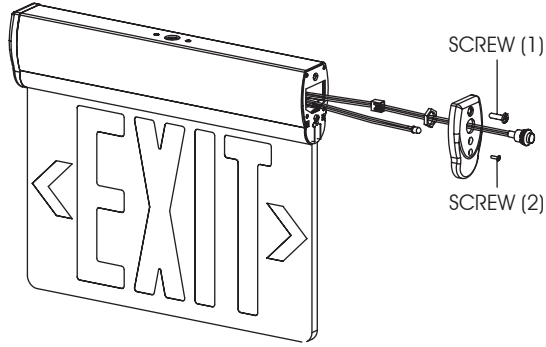


FIG. 2

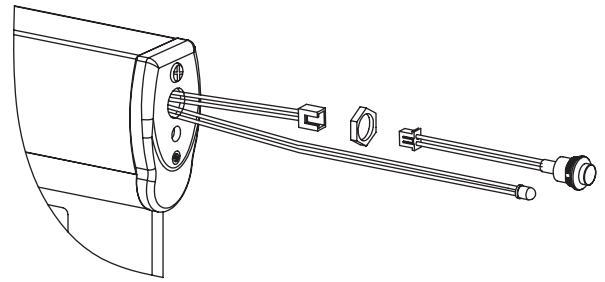


FIG. 3

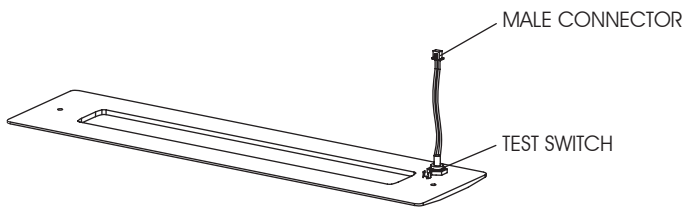


FIG. 4

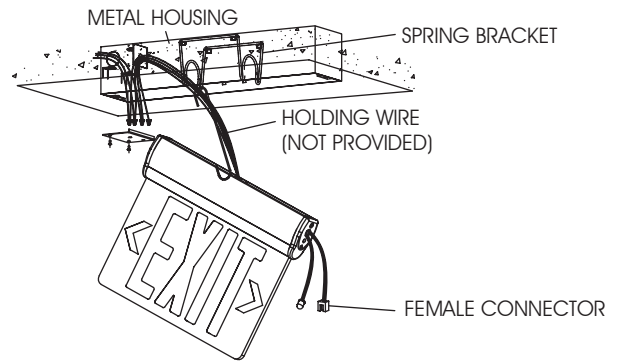


FIG. 5 RECESSED CEILING MOUNTING

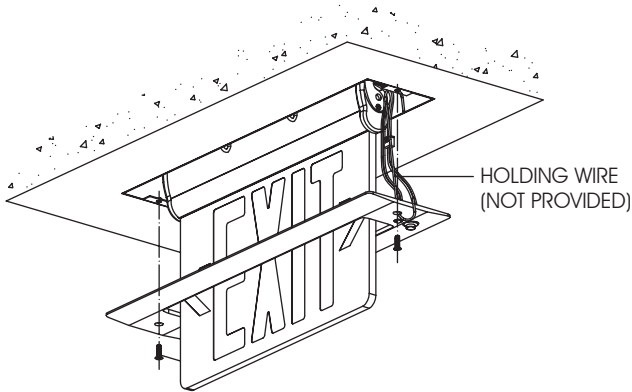
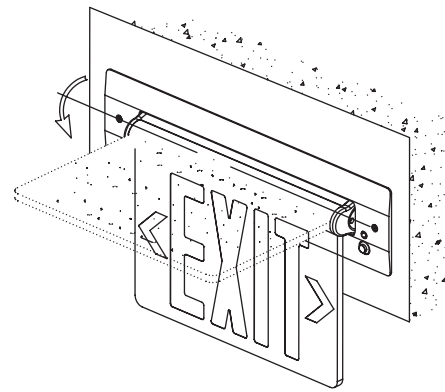


FIG. 6 RECESSED WALL MOUNTING



## MAINTENANCE

---

1. EELP recommends that the equipment be tested and that written records be maintained according to the local building code. The equipment is to be repaired whenever the equipment fails to operate as intended during the duration test.
2. The lamps listed herein when used according to the instructions with this unit are in accordance with the requirements of CSA Standard C22.2, No. 141 – Unit Equipment for Emergency Lighting.
3. Clean faceplates/lenses on a regular basis.

**NOTE: Always turn off AC power before servicing. The servicing of any parts should be performed by qualified service personnel. The use of replacement parts not furnished by EELP Inc., may cause equipment failure and will void the war**

## TROUBLESHOOTING

---

### EXIT SIGN DOES NOT COME ON AT ALL

1. Check AC supply - be sure unit has 24 hour AC supply (unswitched).
  2. AC supply is OK and indicator light is out, replace PC Board Assembly.
  3. This could be the result of a switched AC supply to the unit (which has been turned off at some point).
-