

## WARNING!

### IMPORTANT SAFEGUARDS:

Read and Follow all safety instructions before Installation! Save these instructions and deliver to owner after installation.

## IMPORTANT:

- Read all instructions carefully before attempting installation. If you do not understand these instructions, please consult your local distributor.
- Thoroughly inspect your fixture for any freight damage; freight damage should be reported to the delivery carrier.



FIGURE 1

## MOUNTING

1. Dis-engage the cover latch to open the fixture. (See FIGURE 1)
2. Loosen the 4 bolts that tightens the stabilizer plate. (See FIGURE 2)
3. Mount the luminaire onto a pole through the opening next to the stabilizer plate.
4. Secure the pole under the stabilizer plate.
5. Tighten the 4 bolts on the stabilizer plate.
6. Close the cover and engage the cover latch.
7. Make wire connection.

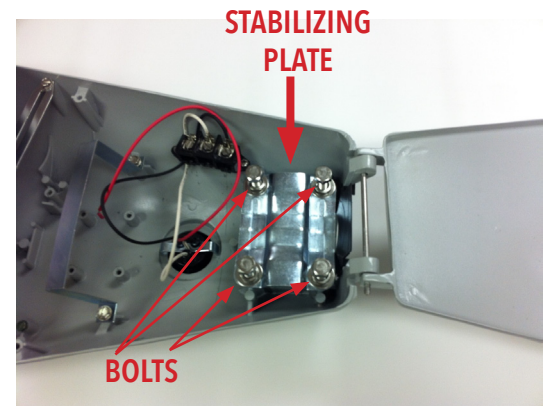
COVER LATCH →



## WIRING CONNECTIONS

1. Connect the black fixture wire to the black supply wire (line).
2. Connect the white fixture wire to the white supply wire (neutral).
3. Connect the green fixture wire to the junction box ground wire.

FIGURE 2



## TROUBLESHOOTING TIPS

1. Verify proper line voltage is present and wired to the correct input voltage lead.
2. Verify fixture wiring.
3. Verify fixture is grounded.
4. Optional: ensure the photocell is plugged in with the correct orientation (i.e. north on the fixture matches north on the photocell).
5. Optional: ensure the photocell is twisted clockwise to the maximum.
6. Optional: verify photocell wiring. (See FIGURE 3)

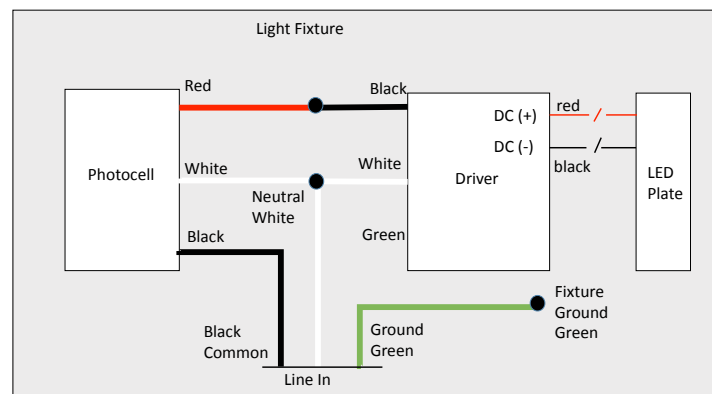


FIGURE 3