

AL28-C-LED Series Area Light

SAVE THESE INSTRUCTIONS



BEFORE YOU BEGIN

Read and follow all safety instructions



WARNING

RISK OF FIRE, EXPLOSION AND ELECTRIC SHOCK

- This product should be installed, inspected, and maintained by a qualified electrician only, in accordance with the NEC (National Electric Code) and all local codes.
- Turn off electrical power before inspection, installation or removal.
- Use only UL (or other NRTL) approved wire for input/output connections. Minimum size 18 AWG or 14 AWG for continuous runs.
- Make sure LEDs and drivers are cool to touch when performing maintenance. Make sure the supply voltage is the same as the rated voltage of the luminaire.
- Do not install in a hazardous atmosphere, except where the ambient temperature does not exceed the rated operating temperature of the fixture.
- Keep tightly closed when in operation



Prepare Electrical Wiring



Electrical Requirements

- The LED driver must be supplied with 120 to 277V, 50/60 Hz and connected to an individual, properly grounded branch circuit protected by a 20 Ampere circuit breaker. Use min. 75°C supply.



Grounding Instructions

- The grounding and bonding of the overall system shall be done in accordance with NEC Article 600 and local codes

LED Area Light

LED 6090 Series

Installation Guide

Tools Required:

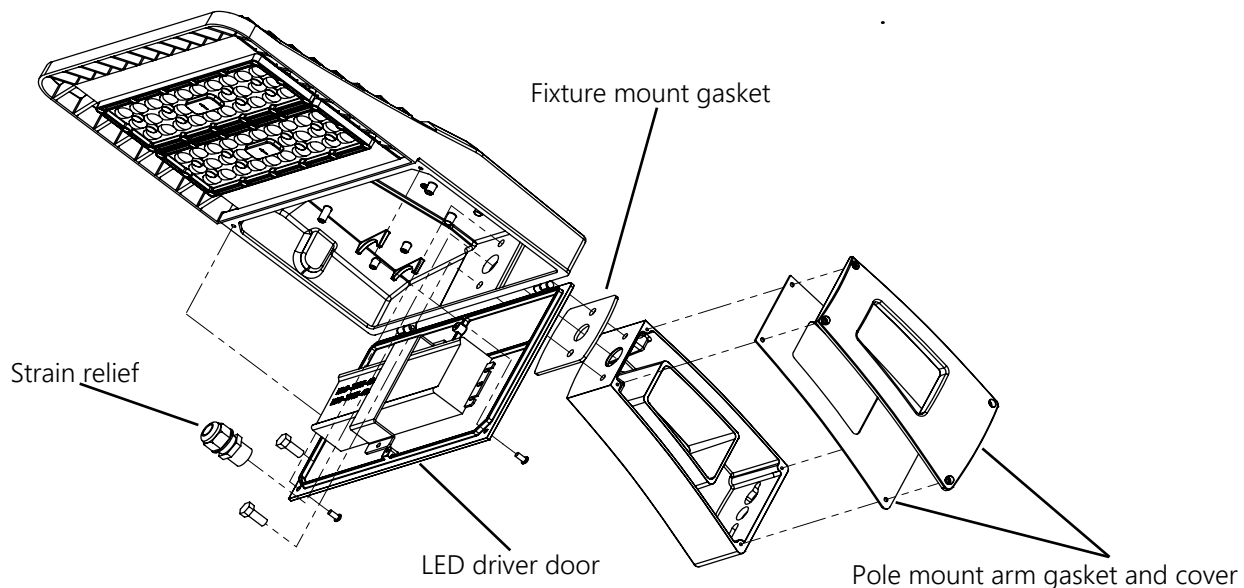
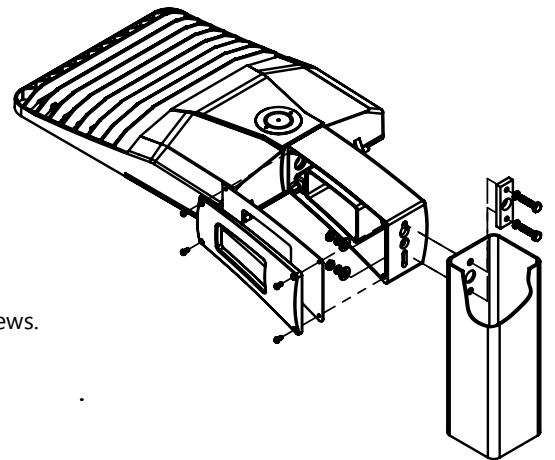
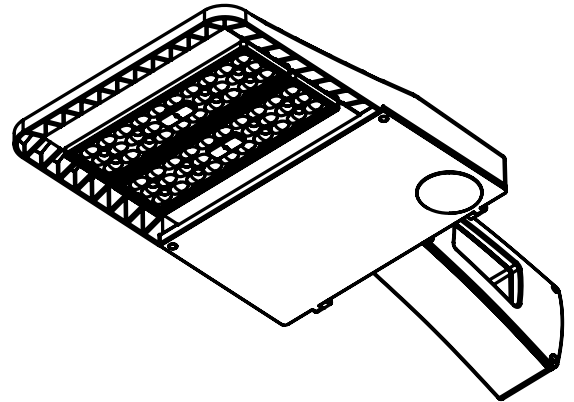
Phillips Screw Drivers

Wire Strippers

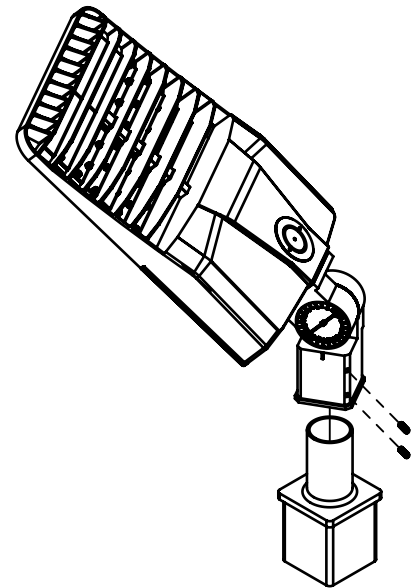
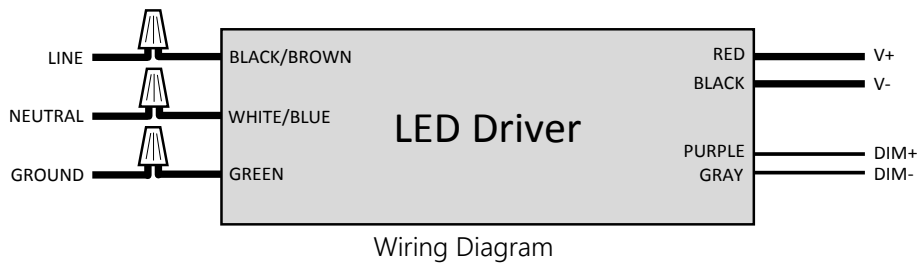
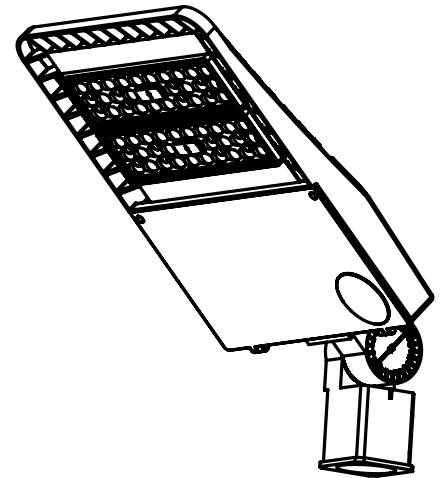
Wire Cutters

Hex Bit Socket or Combo Wrench (1/2")

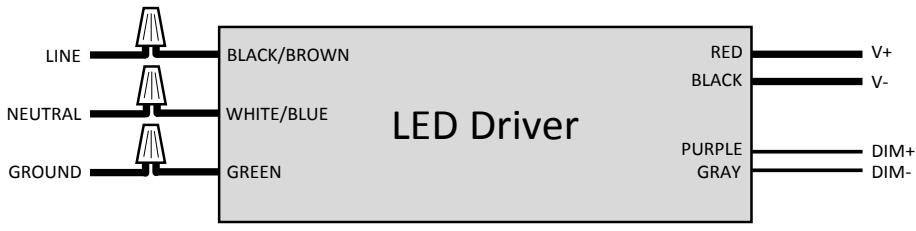
- Before starting ensure that the power is disconnected.
- Unpack fixture and ensure that there are no damaged parts.
- Pole Mounting:
- Remove the pole mounting arm cover and gasket.
- Feed the included bolts, lock and flat washers through the mounting arm holes.
- Align with the holes in the pole and thread through the plate on the inside of the pole.
- Hand tighten the bolts to 20 lbf-in.
- Open the LED driver compartment from the underside of the fixture.
- Feed the included bolts, lock and flat washers through the inside of the driver compartment, fixture mount gasket, and attach the fixture to the pole mount.
- Feed the power cable through the strain relief and pole mount arm and connect the power leads with the included wire nuts according to the wiring diagram below. **Make sure the strain relief is installed correctly.**
- Close the LED driver compartment door and secure with the supplied screws.
- Replace the pole mount arm gasket and attach the cover with the supplied screws.



- Slipfitter (Knuckle) Mounting:
- Slide the slip fitter mount over the tenon bracket.
- Ensure that the power cord is not pinched when feeding through the tenon mount
- Remove cover and loosen bolt to adjust tilt angle on fixture
- When desired angle is reached tighten back up center bolt to secure the angle.
- Tighten the 2 grub set screws on the slip fitter to 15 ft-lbs to secure the slipfitter to the tenon
- Make wiring connections as below



- Trunnion/Yoke Mounting:
- Remove Yoke from fixture by removing the 2 bolts on each side
- Drill holes in the mounting surface and bolt the trunnion/yoke in place
- Attach the fixture to the yoke bracket and tighten bolts on each side
- Rotate fixture until desired angle is achieved and tighten bolts on each side
- Route the cord into a junction box and make wiring connections as seen below. Black to Black (Hot), White to White (Neutral), Green to Green (Ground)
- Ensure that the entry into the junction box is water tight with a bushing or other water sealing device



Wiring Diagram

