

Letter Height: 7 inches

READ AND FOLLOW ALL SAFETY INSTRUCTIONS

Activation: minimum 5 foot candles (54 lux) of unfiltered fluorescent lighting for 60 minutes.
CAUTION : EXTERNAL ILLUMINATION SOURCE REQUIRED

- Install EXIT signs only in locations, where an external illumination source is present, is deemed reliable and is supplied by a circuit not controlled by automatic timers or sensors, and whose controls are accessible only to authorized personnel. This reliable external illumination source is to be energized at all times during building occupancy !
- Should any changes in your external lighting types or lighting levels occur, make sure that the photoluminescent EXIT sign is still being illuminated with minimum 5 foot candles (54 lux) of unfiltered fluorescent lighting.
- Periodically clean the photoluminescent EXIT sign face with non-abrasive cloth dampened with water. Do not use any thinners or chemical solvents on the sign face.
- Check with your applicable installation codes (such as NFPA 101 – Life Safety Code) to perform periodic visibility tests.
- Photoluminescent EXIT signs are intended for INDOOR use only. Do not expose to direct sunlight, liquid spray, or temperatures outside the range 10°C – 40° C (50 ° – 104° F).

Viewing Distance: 50 foot viewing distance

SAVE THESE INSTRUCTIONS

Installation: 4 screw holes provided for flat wall mount. As additional option, stand-off barrels are available to install the signs 1 inch away from the wall. Please turn page over for detailed Installation Instructions.

Flat Wall Mount

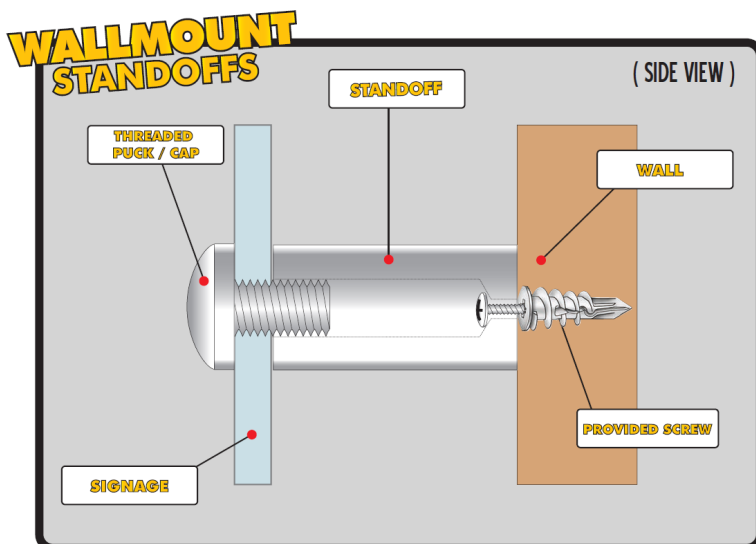
- Hold sign flat against the wall and adjust height using a level. Mark the location of the four holes.
- Drill holes. Insert anchors.
- Screw-attach sign in place.

Wall Mount using Stand-Off-Studs

- Hold sign flat against the wall and adjust height using a level. Mark the location of the four holes.
- Drill holes. Insert anchors.
- Insert screws into barrel studs. Secure ,screws with barrel studs' into the anchors.
- Apply four foam rings over the barrel stud ends. Then place the acrylic sign against the studs.
- Insert the four barrel caps through the acrylic sign holes into the barrel studs.
- Using the Allen wrench, tighten the socket screw.
- Once unit is tightly installed, wipe off any fingerprints using a non-abrasive damp cloth.

4 Standoff Barrels Installation Instructions for Acrylic EXIT Sign

COMPONENT BREAKDOWN & INSTALLATION PROFILE



1. Hold Acrylic sign in the location of intended installation. Using a pencil, mark the center of the four holes on the wall.
2. Using a power drill, make four holes approx. 3/4" deep into the wall. Insert the dowels.
3. Hold Standoff barrel above hole, insert screw into barrel into wall hole. Insert screw driver into standoff barrel and firmly tighten screw. Repeat for additional 3 holes.
4. Hold Acrylic sign in place and insert all four threaded caps through sign holes into standoff barrels.
5. Tightly hand-screw caps into standoff barrels.

Wire Suspension Set to hang Sign up to 24" from Ceiling

1. Insert one metal cable end through one side of crimp-on sleeve.
2. Loop end of metal cable through first top hole of Acrylic Exit Sign, from the front to the rear of sign, with the crimp-on sleeve on one side.
3. Insert short metal cable length through the other hole of same crimp-on sleeve.
4. Position loose crimp-on sleeve (which holds short cable end in back and long cable end in front with the sign sandwiched in-between) a bit above sign's top edge, so cable can dangle freely without scraping sign edge.
5. Use crimping tool and firmly squeeze the crimp-on sleeve tight. Firm grip of both cable sections is **very important**.
6. Repeat steps 1 to 5 for second sign hole.
7. Attach the flat ceiling base, threads facing down, to the ceiling using a screw. Repeat with 2nd ceiling base.
8. Peel-back protective see-through Acrylic Sign surface film.
9. Long cable ends are already inserted into the ceiling mount long barrels.
10. Now screw the long barrels (which hold the two EXIT sign cables) to the ceiling bases. Done.

