

SPECIFICATIONS

EXIT

HOUSING

- Injection-molded high-impact resistant thermoplastic
- Available in white or black housings
- EZ snap out chevron directional indicators
- Unit comes standard single face with an extra face plate for double face applications

ELECTRICAL

- Dual 120/277V
- Charge rate/power "On" LED light and push-to-test switch for testing
- Standard Operating Temperature: 0°C - 50°C (32°F - 122°F)

ILLUMINATION

- Ultra bright, energy efficient red or green LEDs
- 1.1W Led lamps (52 Lumens/head)
- 2W High Output lamps available (110 Lumens/head)
- All-inclusive lamp, reflector, and lens assembly
- Adjustable heads

BATTERY

- 3.6V Maintenance-free, rechargeable NiCad battery
- Internal transfer switch automatically connects battery to LED board and lamp heads for 90-minute emergency illumination
- LVD (Low Voltage Disconnect) prevents battery from deep discharge
- Bi-color LED indicator alerts to battery condition (Green-normal, Red-check battery)
- Two-rate charger initiates battery charge to recharge in battery in 24 hours
- Remote capacity up to 2W

MOUNTING

- Mounting canopy included for top or end mount
- Universal knockout pattern on back plate for wall mount

CODE COMPLIANCE

- UL Listed for Damp Locations
- Meets UL924, NFPA101, NEC, OSHA, Local and State Codes
- CEC Title20 Certified

WARRANTY

- 5 Year

ORDERING INFORMATION

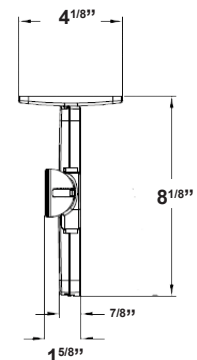
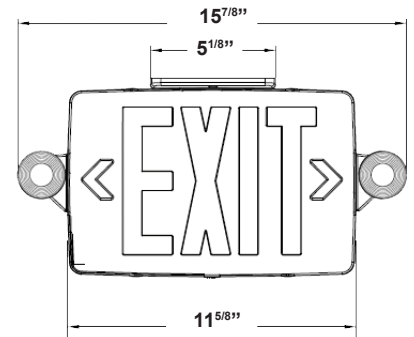
CATALOG#	Description
XCT2RW	Universal Face, Red on White
XCT2RB	Universal Face, Red on Black
XCT2GW	Universal Face, Green on White
XCT2GB	Universal Face, Green on Black

OPTIONS (Factory Installed)

RC	- Remote Capable (cannot be used with HO)
HO	- High Output Lamps (cannot be used with RC)



XCT
Thin LED Combo



ELECTRICAL INFORMATION

Catalog #	Input Watts (W)		Input Amps (A)	
	120V	277V	120V	277V
XCT	1.2	1.2	0.092	0.092

SPACING GUIDELINES

Model #	Mounting Height (ft)	3' Wide Egress Path		Lumens per Head	Head Qty
		Single Unit (ft)	Unit to Unit (ft)		
XCT	7.5' Wall Mount	15'	15'	52	2
	10' Wall Mount	10'	13'		
XCT-HO	7.5' Wall Mount	-	-	110	2
	10' Wall Mount	30'	32'		