

**SPECIFICATIONS**

**EXITS**

**HOUSING**

- Injection-molded high-impact resistant polycarbonate
- Available in white, black, or gray housing
- EZ snap out chevron directional indicators
- Silicone gasketed

**ELECTRICAL**

- Dual 120/277V
- Charge rate/power "On" LED light and push-to-test switch for testing
- Standard Operating Temperature: 0°C - 50°C (32°F - 122°F)
- Cold Weather option: -20°C (-4°F)

**ILLUMINATION**

- Ultra bright, energy efficient red or green LEDs
- 3.6W LED Lamp heads (219 Lumens/head)
- Adjustable heads

**BATTERY**

- 6V Maintenance-free, rechargeable NiCad battery
- Internal transfer switch automatically connects battery to LED board and lamps for 90-minute emergency illumination
- LVD (Low Voltage Disconnect) prevents battery from deep discharge
- Two-rate charger initiates battery charge to recharge in battery in 24 hours
- Bi-color LED indicator light alerts occupant on battery condition (Green-normal, Red-check battery)
- Remote Capability (7.2W) optional

**MOUNTING**

- Diecast aluminum mounting canopy for top or end mount
- Universak knockout pattern on back plate for wall mount

**CODE COMPLIANCE**

- UL Listed for Wet Locations
- Meets UL924, NFPA101, NEC, OSHA, Local and State Codes
- CEC Title20 Certified

**WARRANTY**

- 5 Year

**ORDERING INFORMATION**

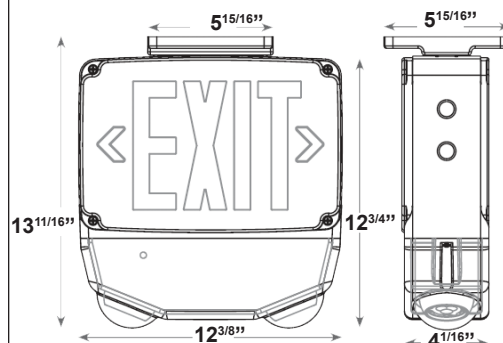
MODEL#	Face #	Letters	Housing/Face
XCR	1	R (Red)	W (White/White)
	2	G (Green)	B (Black/White)
			G (Gray/White)

**Options (Factory Installed)**

SD	- Self Diagnostics
CW	- Cold Weather (-20°C)
RC	- Remote Cpabale
TPS	- Tamper Proof Screws
SWXE	- Special Wording (prefix to part number)



**XCR**  
**Wet Location LED**  
**Thermoplastic Combo**



## ELECTRICAL INFORMATION

Catalog #	Input Watts (W)		Input Amps (A)	
	120V	277V	120V	277V
XCR	5.7	5.7	0.057	0.024
XCR-RC	9.0	9.0	0.082	0.034
XCR-SD	7.0	7.0	0.063	0.030
XCR-RC-SD	9.7	9.7	0.088	0.039

## SPACING GUIDELINES



1	0.30	0.43	0.59	0.76	0.98	1.22	1.37	1.37	1.21	0.97	0.74	0.70	0.75	0.92	1.09	1.13	1.04	0.89	0.68	0.50	0.34	0.24	0.20	0.14
2	0.36	0.50	0.77	1.02	1.26	1.51	1.69	1.60	1.43	1.15	0.89	0.83	0.93	1.20	1.51	1.67	1.57	1.33	1.03	0.71	0.52	0.35	0.24	0.18
3	0.43	0.60	0.82	1.20	1.51	1.77	1.90	1.84	1.53	1.20	0.95	0.89	1.03	1.44	1.78	1.93	1.84	1.50	1.15	0.78	0.55	0.38	0.27	0.20
4	0.42	0.60	0.85	1.13	1.44	1.70	1.82	1.70	1.38	1.12	0.89	0.87	1.05	1.50	1.83	2.09	2.00	1.68	1.26	0.94	0.66	0.40	0.31	0.23
5	0.44	0.61	0.80	1.06	1.29	1.45	1.50	1.40	1.12	0.96	0.78	0.78	0.97	1.34	1.70	1.93	1.87	1.61	1.25	0.91	0.67	0.48	0.32	0.23
6	0.37	0.54	0.69	0.86	1.05	1.10	1.12	1.04	0.87	0.70	0.62	0.64	0.80	1.06	1.34	1.58	1.55	1.37	1.12	0.90	0.68	0.50	0.34	0.24

12 11 10 9 8 7 6 5 4 3 2 1 0 1 2 3 4 5 6 7 8 9 10 11 12

Meets NFPA 101 Requirements for: 24' center-to-center spacing - 6' path of egress 0' from wall - 9' mounting height