

**SPECIFICATIONS**

**EXITS**

**HOUSING**

- Injection-molded high-impact resistant thermoplastic
- Available in white, black, or silver aluminum housings
- Chevrons are field installable

**ELECTRICAL**

- Dual 120/277V
- Optional 208/220/240V available
- Charge rate/power "On" LED light and push-to-test switch for testing
- Standard Operating Temperature: 0°C - 50°C (32°F - 122°F)

**ILLUMINATION**

- Ultra bright, energy efficient red or green LEDs
- Clear acrylic edgelit panel (single face), silver and white mylar acrylic panels (single and double faces)

**BATTERY**

- 4.8V Maintenance-free, rechargeable NiCad battery
- Internal transfer switch automatically connects battery to LED board for 90-minute emergency illumination
- LVD (Low Voltage Disconnect) prevents battery from deep discharge
- Two-rate charger initiates battery charge to recharge in battery in 24 hours
- Bi-color LED indicator alerts to battery condition (Green-normal, Red-check battery)

**MOUNTING**

- Mounting canopy included for top, end, or back mount

**CODE COMPLIANCE**

- UL Listed for Damp Locations
- Meets UL924, NFPA101, NEC, OSHA, Local and State Codes
- CEC Title20 Certified

**WARRANTY**

- 5 Year

**ORDERING INFORMATION**

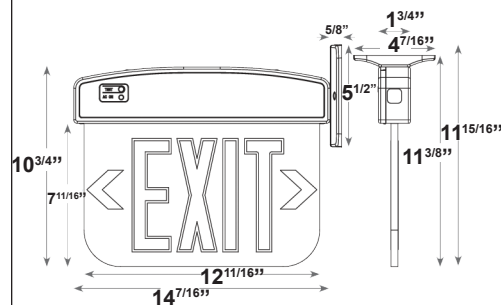
MODEL#	# Faces / Letter/ Panel	Housing
<b>PLEDG</b>	<b>1RC</b> (1 Face, Red Letters, Clear Panel)	<b>A</b> (Aluminum)
	<b>2RS</b> (2 Face, Red Letters, Mirror Panel)	<b>W</b> (White)
	<b>2RW</b> (2 Face, Red Letters, White Panel)	<b>B</b> (Black)
	<b>3RS</b> (1 Face, Red Letters, Mirror Panel)	
	<b>3RW</b> (1 Face, Red Letters, White Panel)	
	<b>1GC</b> (1 Face, Green Letters, Clear Panel)	
	<b>2GS</b> (2 Face, Green Letters, Mirror Panel)	
	<b>2GW</b> (2 Face, Green Letters, White Panel)	
	<b>3GS</b> (1 Face, Green Letters, Mirror Panel)	
	<b>3GW</b> (1 Face, Green Letters, White Panel)	

**Options (Factory Installed)**

EM	- NiCad Battery
SD	- Self Diagnostics (requires EM)
SWXE	- Special Wording Panel (prefix to part number)
SV	- 208/220/240V, 50/60Hz (not available with SD)
2AC120	- Dual Circuit with 120V Input (AC only)
2AC277	- Dual Circuit with 277V Input (AC only)



**PLEDG**  
Thermoplastic Edgelit



**ELECTRICAL INFORMATION**

Catalog #	Input Watts (W)					Input Amps (A)				
	120V	208V	220V	240V	277V	120V	208V	220V	240V	277V
<b>PLEDG</b> <b>PLEDG-EM</b> <b>PLEDG-SV</b> <b>PLEDG-EM-SV</b>	3.6	3.84	3.9	3.95	4.0	0.031	0.022	0.021	0.020	0.020
<b>PLEDG-2C</b> <b>PLEDG-EM-SD</b>	3.6	-	-	-	4.0	0.031	-	-	-	0.020