



Project

Type

Catalog Number

SPECIFICATIONS

HARSH ENVIRONMENT

HOUSING

- Reinforced polycarbonate construction
- Industrial gray finish
- Field selectable knockout chevron directional indicators

ELECTRICAL

- Dual 120/277V
- Charge rate/power "On" LED light and push-to-test switch for testing
- Standard Operating Temperature: -20°C - 50°C (4°F - 122°F)

ILLUMINATION

- Ultra bright, energy efficient red or green LEDs
- 3.3W MR16 LED Lamps (219 lm/lamp)

BATTERY

- Maintenance-free, rechargeable NiCad battery
- Internal transfer switch automatically connects battery to LED board and lamps for 90-minute emergency illumination
- LVD (Low Voltage Disconnect) prevents battery from deep discharge
- Two-rate charger initiates battery charge to recharge in battery in 24 hours
- Unique bi-color LED indicator light alerts occupant on battery condition (Green-normal, Red-check-battery)
- 4.8W Remote capacity available (12W units); 7.8W Remote Capacity available (15W units)

MOUNTING

- Mounting bracket provided for surface wall mount
- Pre-installed conduit hub for conduit and pendant mount applications

CODE COMPLIANCE

- UL Listed for Wet Locations
- Meets UL924, UL844, NFPA101, NEC, OSHA, Local and State Codes
- IP66 Rated
- Hazardous Rated: Class I, Div II, Groups A, B, C, D

WARRANTY

- 5 Year



HLXCHA
Hazardous Location
Polycarbonate Combo

ORDERING INFORMATION

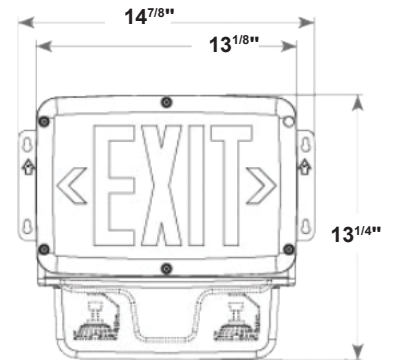
MODEL	Face #	Letter	Housing	Voltage/Wattage
HLXCHA	1	R (Red)	G (Gray)	6V12W-NI ²
	2	G (Green)		6V15W-NI ¹
				12V12W-NI ²
				12V15W-NI ¹

¹Single Face models only

²Double Face models only

OPTIONS

CW	- Cold Weather (-20°C)
SD	- Self Diagnostics
TPS	- Tamper Proof Screws
LH	- Less Heads



ELECTRICAL INFORMATION

Catalog #	Input Watts (W)		Input Amps (A)	
	120V	277V	120V	277V
HLXCHA-6V	16	19	0.20	0.07
HLXCHA-12V	16	18	0.14	0.07

SPACING GUIDELINES

Model #	Mounting Height (ft)	3' Wide Egress Path		6' Wide Egress Path		Lumens per Head	Head Qty
		Single Unit (ft)	Unit to Unit (ft)	Single Unit (ft)	Unit to Unit (ft)		
HLXCHA	7.5' Mounting	38'	40'	34'	35'	219	2
	10' Mounting	36'	38'	34'	35'		
	15' Mounting	24'	26'	22'	25'		