



Project

Type

Catalog Number

**SPECIFICATIONS**

**HARSH ENVIRONMENT**

**HOUSING**

- Heavy duty cast aluminum housing
- Stainless steel tamper resistant screws
- Gray finish standard
- Vandal resistant polycarbonate lens

**ELECTRICAL**

- Dual 120/277V
- Charge rate/power "On" LED light and push-to-test switch for testing
- Standard Operating Temperature: 10°C - 40°C (50°F - 104°F)

**BATTERY**

- Maintenance-free, rechargeable sealed lead acid battery
- Internal transfer switch automatically connects battery to lamp heads for 90-minute emergency illumination
- LVD (Low Voltage Disconnect) prevents battery from deep discharge
- Two-rate charger initiates battery charge to recharge in battery in 48 hours
- NiCad Battery also available

**ILLUMINATION**

- 5W LED MR16 Lamps standard
- See lumen info on page 2
- Lamp and reflector assemblies are fully adjustable

**MOUNTING**

- Universal knockout pattern and keyhole slots on back of housing

**CODE COMPLIANCE**

- cSA Listed for Wet Locations
- NEMA4X Rated
- IP66 Rated
- ETL Sanitation Listed to NSF/ANSI standards
- Meets UL924, NFPA101, NEC, OSHA, Local and State Codes
- BAA Compliant
- Rated for Class 1, Div 2, Groups A, B, C, D
- Class 2, Div 1 & 2, Groups E, F, G

**WARRANTY**

- 5 Year



**HLRM  
Hazardous Location  
Emergency Unit**

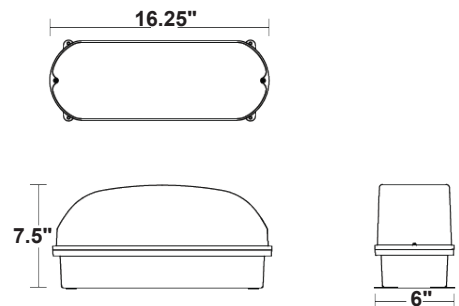
CATALOG#	Description
HLRM-6V18	6V, 18W - Sealed Lead Acid Battery, 5W LED MR16 Lamps
HLRM-6V22-NI	6V, 22W - NiCd Battery, 5W LED MR16 Lamps
HLRM-6V36	6V, 36W - Sealed Lead Acid Battery, 5W LED MR16 Lamps
HLRM-6V42-NI	6V, 42W - NiCd Battery, 5W LED MR16 Lamps
HLRM-6V60	6V, 60W - Sealed Lead Acid Battery, 5W LED MR16 Lamps
HLRM-12V36	12V, 36W - Sealed Lead Acid Battery, 5W LED MR16 Lamps
HLRM-12V42-NI	12V, 42W - NiCd Battery, 5W LED MR16 Lamps
HLRM-12V60	12V, 60W - Sealed Lead Acid Battery, 5W LED MR16 Lamps

**OPTIONS (Factory Installed)**

SD	- Self Diagnostics (includes time delay function, specify 0, 5, 10, 20 minutes) - 36W models and under
AM	- Ammeter (36W models and under)
VM	- Voltmeter (36W models and under)
FA	- Fire Alarm Interface (specify open/dry contact) - 36W models and under
LMR02	- 2W MR16LED Lamps (5W standard) - 12V
LMR07	- 7W MR16LED Lamps (5W standard) - 6V/12V
MR20	- 20W MR16 Halogen Lamps (5W LED standard) - 12V

**ACCESSORIES (order separately, ships on side)**

WG6	- Wireguard
-----	-------------



## LUMEN INFORMATION

LAMP	VOLTAGE	LUMEN/LAMP
20W MR16	12V	151 Lms
2W MR16 LED	12V	184 Lms
5W MR16 LED	6V	472 Lms
	12V	589 Lms
7W MR16 LED	6V	647 Lms
	12V	647 Lms

## SPACING GUIDELINES

Lamp	3' Wide Egress Path	
	Mounting Ht.	Unit to Unit (ft)
5W LED	7.5'	60'