



Project

Type

Catalog Number

SPECIFICATIONS

EMERGENCY

HOUSING

- Injection molded, high-impact resistant, thermoplastic
- Available in white or black finishes

ELECTRICAL

- Universal 120-277V
- Charge rate/power "On" LED light and push-to-test switch for testing
- Standard Operating Temperature: 0°C - 50°C (32°F - 122°F)

BATTERY

- 9.6V maintenance-free, lithium iron phosphate battery
- LVD prevents battery from deep discharge
- Internal transfer switch automatically connects battery to lamp heads for 90-minute emergency illumination
- Bi-Color LED indicator light alerts to battery condition (Green-normal, Red-check battery)
- Two-rate charger initiates battery charge to recharge in battery in 24 hours
- Remote capacity up to 3W standard

ILLUMINATION

- 5W LED lamp heads standard (581 Lumens/head)
- Chrome-plated metalized reflector and plastic lens
- Adjustable heads

MOUNTING

- Universal knockout pattern on back plate for surface mount
- Suitable for wall or ceiling mount
- Knockouts for conduit feed applications

CODE COMPLIANCE

- UL Listed for Damp Locations
- Meets UL924, NFPA 101, Life Safety Code, NEC, OSHA, Local and State Codes
- CEC Title 20 Certified

WARRANTY

- 5 Year



**EM25-LED
High Performance
LED Emergency Unit**

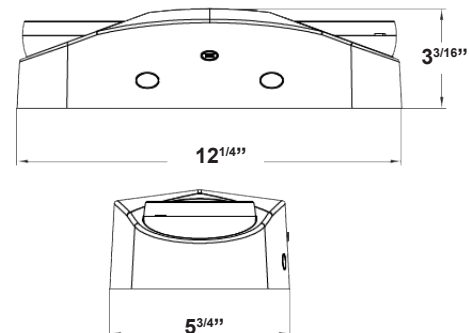
ORDERING INFORMATION

CATALOG#

EM25-LED

OPTIONS (Factory Installed)

- BLK - Black Housing
- SD - Self Diagnostics



SPACING GUIDELINES

Model #	Mounting Height (ft)	3' Wide Egress Path		6' Wide Egress Path		Lumens per Head	Head Qty
		Single Unit (ft)	Unit to Unit (ft)	Single Unit (ft)	Unit to Unit (ft)		
EM25-LED	7.5' Wall Mount	100'	100'	90'	90'	581	2
	10' Wall Mount	84'	88'	78'	82'		
	15' Wall Mount	80'	83'	72'	76'		
	10' Ceiling Mount	102'	105'	90'	96'		
	15' Ceiling Mount	100'	101'	86'	90'		
	20' Ceiling Mount	88'	91'	82'	85'		

ELECTRICAL INFORMATION

Catalog #	Input Watts (W)		Input Amps (A)	
	120V	277V	120V	277V
EM25-LED	4.5	4.5	0.06	0.06
EM25-LED-SD	4.5	4.5	0.06	0.06