



Project

Type

Catalog Number

SPECIFICATIONS

EMERGENCY

HOUSING

- Injection molded, high-impact resistant, thermoplastic
- Available in white or black finishes

ELECTRICAL

- Dual 120/277V
- Charge rate/power "On" LED light and push-to-test switch for testing
- Operating Temperature: 10°C - 40°C (50°F - 104°F)

ILLUMINATION

- Adjustable 2.7W LED lamps standard (260 lumens/lamps)
- HO 5.4W LED lamps optional (550 lumens/lamps)

BATTERY

- Maintenance-free, rechargeable Lithium Ion Phosphate Battery
- Internal transfer switch automatically connects battery to lamp heads for 90-minute emergency illumination
- LVD (Low Voltage Disconnect) prevents battery from deep discharge
- Two-rate charger initiates battery charge to recharge in battery in 24 hours
- RC Model offers an additional 5.4W of remote capacity

MOUNTING

- Universal knockout pattern on back plate for wall or ceiling mounting
- I-Beam mounting bracket available to mount to I-beams, poles, or strut metal framing

CODE COMPLIANCE

- cULus Listed for Damp Locations
- Meets UL924, NFPA101, NEC, OSHA, Local and State Codes
- CEC T20 Compliant

WARRANTY

- 5 Year

ORDERING INFORMATION

CATALOG#
EM20-E

OPTIONS (Factory Installed)

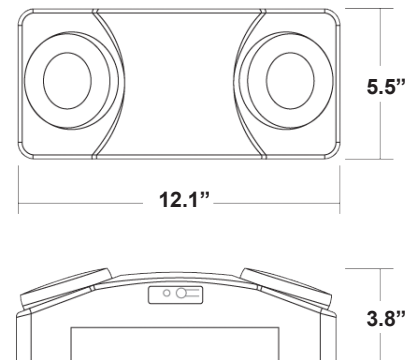
HO	- 5.4W High Output LED Lamps
RC	- Remote Capable (not available with HO option)
BLK	- Black Housing
SD	- Self Diagnostics

ACCESSORIES (order separately, ships on side)

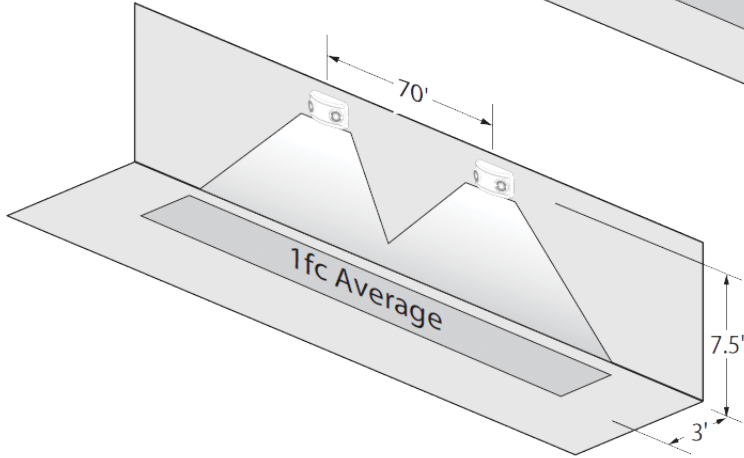
WG-E-S	- Wire Guard (back mount)
EM20-E-BG	- Wet Location Vandal Guard (back mount)
EM20-E-MB	- I-Beam and Pole Mounting Bracket



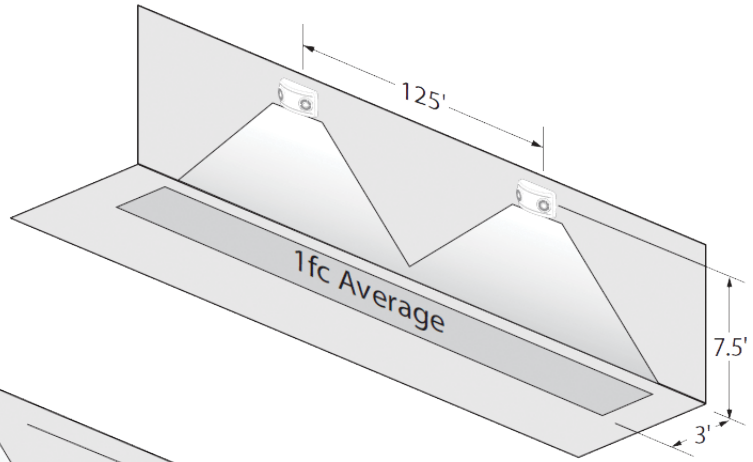
**EM20-E
Thermoplastic
Emergency Unit**



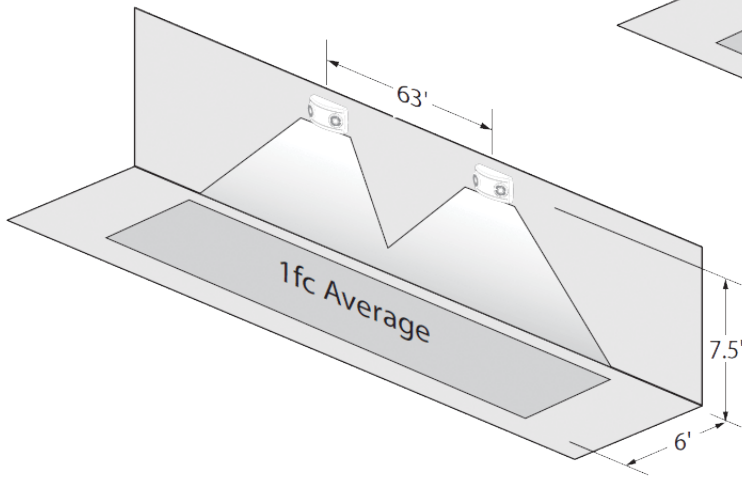
EM20-E



EM20-E-HO



EM20-E



EM20-E-HO

