



Project

Type

Catalog Number

**SPECIFICATIONS**

**EMERGENCY**

**HOUSING**

- Injection molded, high-impact resistant thermoplastic
- Offered in white or black finishes

**ELECTRICAL**

- Dual 120/277V
- Charge rate/power "On" LED light and push-to-test switch for testing
- Operating Temperature: 0°C - 50°C (32°F - 122°F)

**ILLUMINATION**

- 1W LED Lamp heads
- 1.5W High Output lamps available
- Chrome-plated metallized reflector and plastic lens
- Adjustable heads

**BATTERY**

- 3.6V maintenance-free, rechargeable NiCad battery
- EM-1-LED-RC Remote Capacity: 3W
- Low Voltage Disconnect prevents batter from deep discharge
- Internal transfer switch automatically connects battery to lamp heads for 90-minute emergency illumination
- Two-rate charger initiates battery charge to recharge in battery in 24 hours

**MOUNTING**

- Surface mount via back plate (fits most standard JBoxes and snaps into place)
- Suitable for wall or ceilig mount
- Knockout for conduit applications

**CODE COMPLIANCE**

- UL Listed for Damp Locations
- cSA Listed (optional)
- Meets UL924, NFPA101, NEC, OSHA, Local and State Codes
- CEC Title 20 available
- Assembled in America (optional)

**WARRANTY**

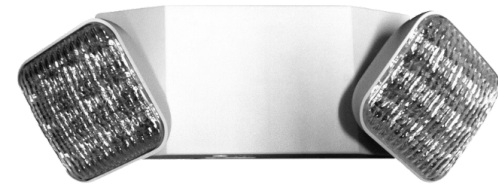
- 5 Year

**ORDERING INFORMATION**

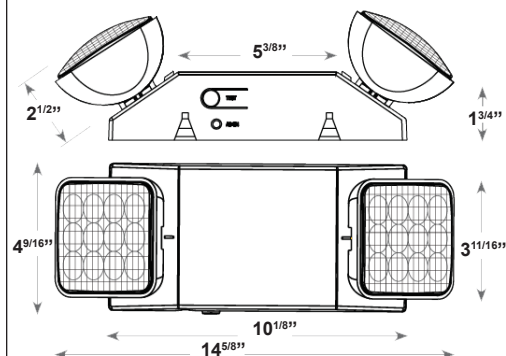
CATALOG#	Color
EM-1-LED	White
EM-1-LED-BLK	Black
EM-1-LED-RC	White
EM-1-LED-RC-BLK	Black

**OPTIONS (Factory Installed)**

HO	- High Output Lamps
SD	- Self Diagnostics
SV	- 208/220/240V, 50/60Hz (not available with SD)
T20	- CEC Title 20 Compliant (not available with SV or CSA options)
CSA	- CSA Listed (120/347V)
USA	- Assembled in America



**EM-1-LED / EM-1-LED-RC  
Thermoplastic LED  
Emergency Unit**



## ELECTRICAL INFORMATION

Catalog #	Input Watts (W)						Input Amps (A)					
	120V	277V	347V	208V	220V	240V	120V	277V	347V	208V	220V	240V
<b>EM1-LED</b>	1.8	1.8	-	2.6	3.5	3.1	0.022	0.010	-	0.024	0.029	0.025
<b>EM1-LED-SD</b>	1.6	1.6	-	-	-	-	0.020	0.010	-	-	-	-
<b>EM1-LED-CSA</b>	2.0	-	2.0	-	-	-	0.023	-	0.008	-	-	-
<b>EM1-LED-RC</b>	2.1	2.1	-	2.8	3.6	3.3	0.025	0.012	-	0.025	0.029	0.025
<b>EM1-LED-RC-SD</b>	1.9	1.9	-	-	-	-	0.020	0.10	-	-	-	-
<b>EM1-LED-RC-CSA</b>	3.0	-	3.0	-	-	-	0.025	-	0.009	-	-	-

## SPACING GUIDELINES

1	0.2	0.3	0.5	0.4	0.4	0.5	0.6	0.8	1.0	0.8	0.9	0.8	0.4	0.2	0.2	
2	0.3	0.5	0.7	0.8	0.9	0.8	0.9	1.0	1.1	1.4	1.1	0.8	0.5	0.3	0.2	
3	0.4	0.7	1.0	1.0	1.1	1.1	1.1	1.3	1.4	1.1	0.9	0.9	0.7	0.5	0.2	
4	0.5	0.7	0.9	1.1	1.2	1.2	1.0	1.1	1.1	1.0	1.1	0.8	0.6	0.3	0.2	
5	0.5	0.7	0.8	0.8	1.0	1.1	0.8	0.8	1.0	0.9	0.6	0.5	0.4	0.3	0.2	
6	0.4	0.5	0.7	0.7	0.8	0.8	0.6	0.5	0.6	0.5	0.4	0.4	0.3	0.2	0.2	
	7	6	5	4	3	2	1	0	1	2	3	4	5	6	7	8

### EM1-LED

Meets NFPA 101 Requirements for: 10' center-to-center spacing - 3' path of egress 1' from wall - 7<sup>1/2'</sup> mounting height

1	0.2	0.3	0.5	0.4	0.4	0.5	0.6	0.8	1.0	0.8	0.9	0.8	0.4	0.2	0.2	
2	0.3	0.5	0.7	0.8	0.9	0.8	0.9	1.0	1.1	1.4	1.1	0.8	0.5	0.3	0.2	
3	0.4	0.7	1.0	1.0	1.1	1.1	1.1	1.3	1.4	1.1	0.9	0.9	0.7	0.5	0.2	
4	0.5	0.7	0.9	1.1	1.2	1.2	1.0	1.1	1.1	1.0	1.1	0.8	0.6	0.3	0.2	
5	0.5	0.7	0.8	0.8	1.0	1.1	0.8	0.8	1.0	0.9	0.6	0.5	0.4	0.3	0.2	
6	0.4	0.5	0.7	0.7	0.8	0.8	0.6	0.5	0.6	0.5	0.4	0.4	0.3	0.2	0.2	
	7	6	5	4	3	2	1	0	1	2	3	4	5	6	7	8

### EM1-LED-RC

Meets NFPA 101 Requirements for: 10' center-to-center spacing - 3' path of egress 1' from wall - 7<sup>1/2'</sup> mounting height