

SPECIFICATIONS

STATE SPECIFIC

HOUSING

- Durable 20-gauge steel housing
- Available in white or black finishes
- Universal face option provided with both single/double faces

ELECTRICAL

- Dual 120/277V standard
- Operating Temperature: 20°C - 50°C (65°F - 122°F)

BATTERY

- 6V Maintenance-free sealed lead acid battery
- LVD prevents battery from deep discharge
- Charge rate/power "ON" LED indicator light and push-to-test switch for mandated code compliance testing
- Internal transfer switch automatically connects battery to lamp heads for 120-minute emergency illumination
- Two-rate charger initiates battery charge to recharge in battery in 24 hours
- Remote Capacity of up to 10W

ILLUMINATION

- 6V, 5.3W LED lamp heads standard (348 Lumens/head)

MOUNTING

- Mounting canopy included for top or end mount
- Universal k/o pattern on back plate for wall mount

CODE COMPLIANCE

- UL Listed for Damp Locations
- Meets UL924, NFPA 101, Life Safety Code, NEC, OSHA, Local and State Codes
- Meets City of Chicago requirements

WARRANTY

- 5 Year



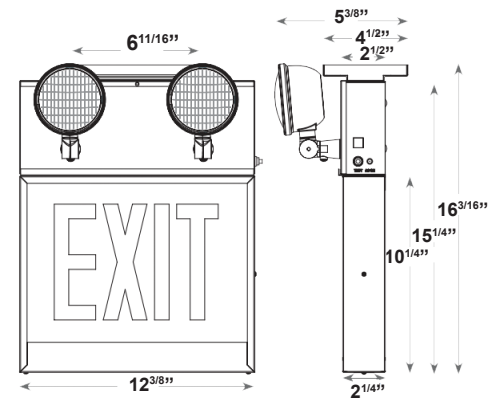
CLED-STXC
Chicago Approved Combo

ORDERING INFORMATION

MODEL#	# Face	Letter	Housing	Options	Signage/Arrows
CLED-STXC	1 (Single)	R (Red)	W (White)	RC (Remote)	NA ^{1/2} (Exit No Arrow)
	2 (Universal)		B (Black)		DA ^{1/2} (Exit Double Arrow)
					RA ¹ (Exit Right Arrow)
					LA ¹ (Exit Left Arrow)
					LARA ² (Exit Left/Right Arrow)
					SSNA ^{1/2} (Stairs No Arrow)
					SSDA ^{1/2} (Stairs Double Arrow)
					SSRA ¹ (Stairs Right Arrow)
					SSLA ¹ (Stairs Left Arrow)
					SSLARA ² (Stairs Left/Right Arrow)

¹ Single face only

² Double face only



ELECTRICAL INFORMATION

Catalog #	Input Watts (W)		Input Amps (A)	
	120V	277V	120V	277V
CLED-STXC	12	13	0.12	0.06

ARROW CONFIGURATION

